



SPARE PARTS LIST 2022

Copyright notice: All contents of this price list, especially texts (including price quotations and price components), photographs and graphics, are protected by copyright. Unless expressly stated otherwise, the copyright is owned by Gebr. Kemper GmbH + Co KG.

Reproduction, forwarding or publication of any kind is not permitted without our express written consent. Anyone who violates copyright law (e.g. copying the contents to their own homepage without permission) is liable to prosecution according to § 106 ff of the German Copyright Act. They will also receive a warning and be ordered to pay damages. Copies of contents can be easily traced on the Internet.

Gebr. Kemper GmbH + Co. KG, October 2020

1	Stop valves and manifold valves	Page	3
2	Protection valves	Page	6
3	Pressure reducing valve and filter	Page	14
4	Regulating valves	Page	17
5	Measuring valves	Page	20
6	Sampling valves	Page	21
7	Concealed valves	Page	22
8	Stop valve water meter combinations	Page	27
9	FROSTI® frost-proof outdoor valves	Page	28
10	TRESOR wall cabinets	Page	35
11	KHS Hygiene System	Page	36
12	KTS ThermoSystem	Page	44
13	Dirt traps	Page	50
14	Handwheels and seals	Page	51



WESER shut off bonnet

suitable for e.g. figure 173, 183 and 190, wetted metal parts made from dezincification-free and corrosion-resistant gunmetal, resistant against aggressive water, maintenance-free spindle sealing with self-lubricating and under pressure replaceable EPDM-lip gasket, EPDM-seat gasket, according to accepted materials list from German environmental agency, for valves acc. DIN 3502,

note: DN 65 and DN 80 for valves from 1991

part no.	for DN
E010917302015KP	15
E010917302020KP	20
E010917302025KP	25
E010917302032KP	32
E010117302040KP	40
E010117302050KP	50
E010117302065KP	65
E010117302080KP	80



WESER shut-off bonnet up to 1991

suitable for figure 173, wetted metal parts made from dezincification-free and corrosion-resistant gunmetal, resistant against aggressive water, maintenance-free spindle sealing with self-lubricating and under pressure replaceable EPDM-lip gasket, EPDM-seat gasket, according to accepted materials list from German environmental agency, for valves acc. DIN 3502

part no.	for DN
E010118302065KP	65
E010118302080KP	80



WESER shut off bonnet with extra long shaft

suitable for Stop Valves with flange connection e.g. figure 135 (in DN 65 and DN 80 identical with E010117302065KP respectively E010117302080KP), incl. EPDM-bonnet gasket, wetted metal parts made from dezincification-free and corrosion-resistant gunmetal, resistant against aggressive water, maintenance-free spindle sealing with self-lubricating and under pressure replaceable EPDM-lip gasket, EPDM-seat gasket, according to accepted materials list from German environmental agency, for valves acc. DIN 3502

part no.	for DN
E010913502015KP	15
E010913502020KP	20
E010913502025KP	25
E010913502032KP	32
E010113502040KP	40
E010113502050KP	50
E010113500100KP	100
E010113500125KP	125
E010113500150KP	150



STANDARD shut off bonnet

incl. EPDM-bonnet gasket, suitable for e.g. figure 174 and figure 191, made of brass, EPDM-seat gasket, according to accepted materials list from German environmental agency, for valves acc. DIN 3502

part no.	for DN		
E010517400015KP	15		
E010517400020KP	20		
E010517400025KP	25		
E010517400032KP	32		
E010517400040KP	40		
E010517400050KP	50		



stainless steel shut off bonnet

e.g. suitable for figure 073, wetted parts made of stainless steel, maintenance-free spindle sealing with self-lubricating and under pressure replaceable EPDM-lip gasket, EPDM-seat gasket, according to accepted materials list from German environmental agency

part no.	for DN		
E012007302015KP	15		
E012007302020KP	20		
E012007302025KP	25		
E012007302032KP	32		
E012007302040KP	40		
E012007302050KP	50		



bonnet for ECO COMPACT stop valve

e.g. suitable for figure 170 and 171, wetted metal parts made from dezincification-free and corrosion-resistant gunmetal, resistant against aggressive water, spindle with O-ring, EPDM-seat gasket, according to accepted materials list from German environmental agency

part no.	for DN		
E01011700001500	15		
E01011700002000	20		
E01011700002500	25		
E01011700003200	32		
E01011700004000	40		
E01011700005000	50		




inner top part TOP ENTRY, for quarter turn stop valve and UP quarter turn stop valve for flush-mounted installation

consisting of spindle, rotatable gunmetal closing body and EPDM gasket body, according to accepted materials list from German environmental agency

part no.	for DN		
E010938600020KP	15-20		
E010938600025KP	25		
E010938600032KP	32		



 **handle for quarter turn stop valve**

suitable for figure 385 00, 386 0G, 640 02, 650 02, 660 06, for all dimensions

part no.			
-----------------	--	--	--

3850000100



bonnet with check function for combined stop and check valve

incl. EPDM-bonnet gasket, wetted metal parts made from dezincification-free and corrosion-resistant gunmetal, resistant against aggressive water, check valve with SST spring, according to UBA valuation basis, for valves acc. DIN 3502/acc. to DIN EN 13959 provisions

part no.	for DN	suitable for figure		
E010116001015KP	15	160, 193 and 137		
E010116001020KP	20	160, 193 and 137		
E010116001025KP	25	160, 193 and 137		
E010116001032KP	32	160, 193 and 137		
E010116001040KP	40	160, 193 and 137		
E010116001050KP	50	160 and 193		
E010116000065KP	65	160 and 137		
E010116000080KP	80	160 and 137		
E010116000100KP	100	160 and 137		



bonnet for check valve

suitable for figure 162, 164, 169, 195, wetted metal parts made from dezincification-free and corrosion-resistant gunmetal, resistant against aggressive water, incl. EPDM-bonnet gasket, check valve with SST spring, according to accepted materials list from German environmental agency, for valves acc. DIN 3502/acc. to DIN EN 13959 provisions

part no.	for DN		
E010116200015KP	15		
E010116200020KP	20		
E010116200025KP	25		
E010116200032KP	32		
E010116200040KP	40		
E010116200050KP	50		
E010116200065KP	65		
E010116200080KP	80		



stainless steel head part for combined stop and check valves, shut off bonnet with check valve

suitable for figure 060 01 and 060 1G, wetted parts made of stainless steel, maintenance-free spindle gasket with self-lubricating EPDM lip gasket, according to accepted materials list from German environmental agency

part no.	for DN		
E012006000015KP	15		
E012006000020KP	20		
E012006000025KP	25		
E012006000032KP	32		
E012006000040KP	40		
E012006000050KP	50		



shut off bonnet for combined stop and check valve with cartridge

suitable for figure 145 2G, wetted metal parts made from dezincification-free and corrosion-resistant gunmetal, resistant against aggressive water, maintenance-free spindle sealing with self-lubricating and under pressure replaceable EPDM-lip gasket, EPDM-seat gasket, incl. EPDM-bonnet gasket, according to accepted materials list from German environmental agency

part no.	for DN		
E010914502015KP	15		
E010914502020KP	20		
E010914502025KP	25		
E010914502032KP	32		
E010114502040KP	40		
E010114502050KP	50		



CV cartridge

for combined stop and check valve figure 145 2G, pass anti-pollution check valve 158 1G und safety group 714 0G, 715 0G, 716 0G, according to accepted materials list from German environmental agency

part no.	for DN		
P41001580001500	15		
P41001580002000	20		
P41001580102500	25		
P41001580103200	32		
P41001580104000	40		
P41001580105000	50		



replacement cartridge for RPZ backflow preventer PROTECT and FK-4 RPZ backflow preventer outlet type BA

for DN	for figure 360 0G till 2009			for figure 360 0G from 2010 till 2014 and for figure 367 01/02			for Fig. 366 0G and Fig. 360 0G with ID number BD-BZ		
	part no.			part no.			part no.		
15	3600000100			3600000100			3600000100		
20	3600000100			3600000100			3600000100		
25	3600000100			3600000100			3660000200		
32	3600000300			3660000200			3660000200		
40	3600000300			3600000300			3600000300		
50	3600000300			3600000300			3600000300		



outlet check valve for RPZ backflow preventer PROTECT and FK-4 RPZ backflow preventer outlet Type BA

for DN	for figure 360 OG till 2009			for figure 360 OG from 2010 till 2014 and for figure 367 01/02			for Fig. 366 OG and Fig. 360 OG with ID number BD-BZ		
	part no.			part no.			part no.		
15	3600200100			3670200100			3670200100		
20	3600200100			3670200100			3670200100		
25	3600200100			3670200100			3660200200		
32	3600200300			3660200300			3660200300		
40	3600200300			3660200400			3660200400		
50	3600200300			3660200400			3660200400		



slotted ring removal and installation tool for FK-4

to exchange the grooved ring packing of FK-4 RPZ backflow preventer outlet type BA DN 15, DN 20 and DN 25

part no.			
3670900100			



service set for RPZ backflow preventer outlet for apartments Type BA

replacement cartridge incl. secondary CV RPZ backflow preventer outlet for apartments

part no.			
3680000100			



top part for FK-4 RPZ outlet valve type BA DN 15-20

with actuating grip, wetted metal parts made from dezincification-free and corrosion-resistant gunmetal, resistant against aggressive water, gunmetal cone, EPDM-seat gasket, according to accepted materials list from German environmental agency

part no.		for DN	
E010936701020KP		15-20	



bonnet for FK-4 RPZ backflow preventer outlet type BA, DN 25

with actuating grip, wetted metal parts made from dezincification-free and corrosion-resistant gunmetal, resistant against aggressive water, gunmetal cone, EPDM-seat gasket, according to accepted materials list from German environmental agency

part no.	for DN		
E010936701025KP	25		



bonnet for FK-4 RPZ backflow preventer outlet type BA, DN 50

with actuating grip, wetted metal parts made from dezincification-free and corrosion-resistant gunmetal, resistant against aggressive water, gunmetal cone, EPDM-seat gasket, according to accepted materials list from German environmental agency

part no.	for DN		
E010136701050KP	50		



union-adaptor for RPZ backflow preventer outlet for apartments Type BA

inlet R 1/2, outlet union nut G 1/2 with O-ring, according to accepted materials list from German environmental agency

part no.			
3680300100			

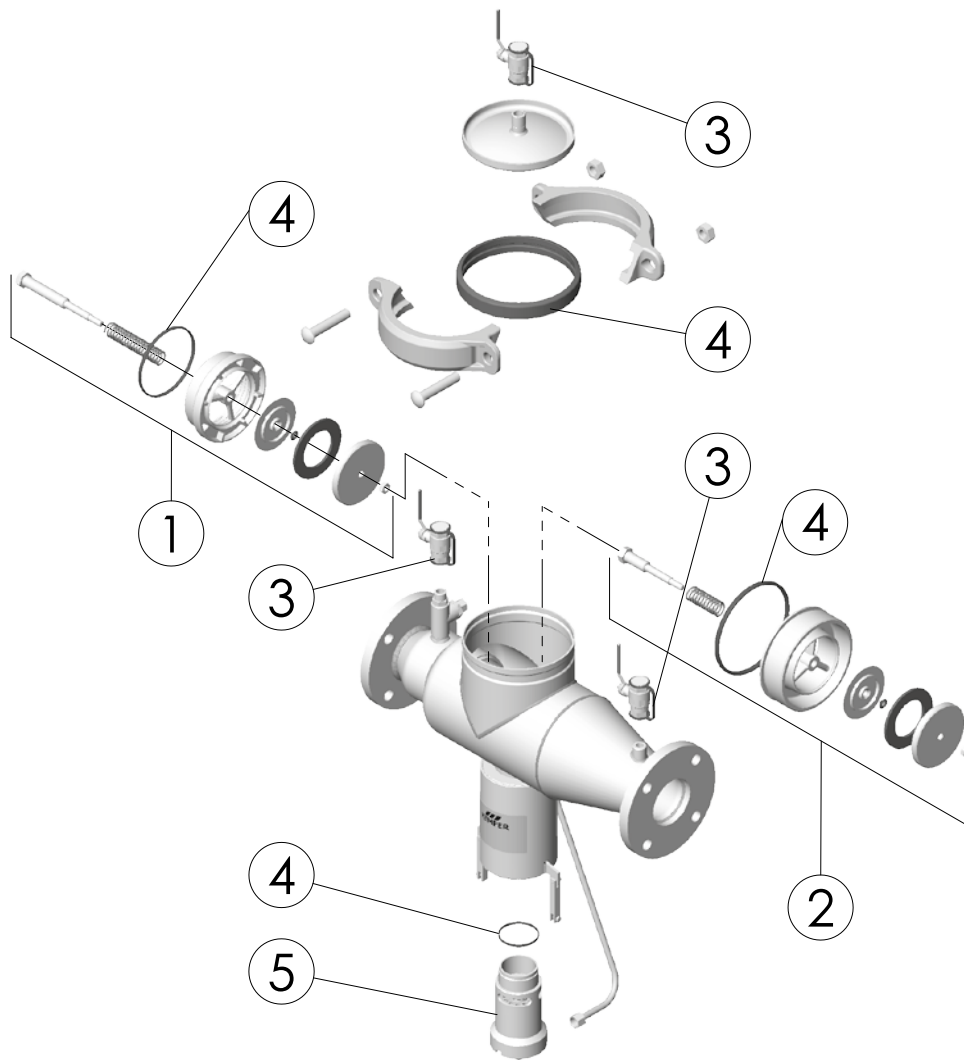


Drain funnel for backflow preventer CA

suitable for figure 362 2G

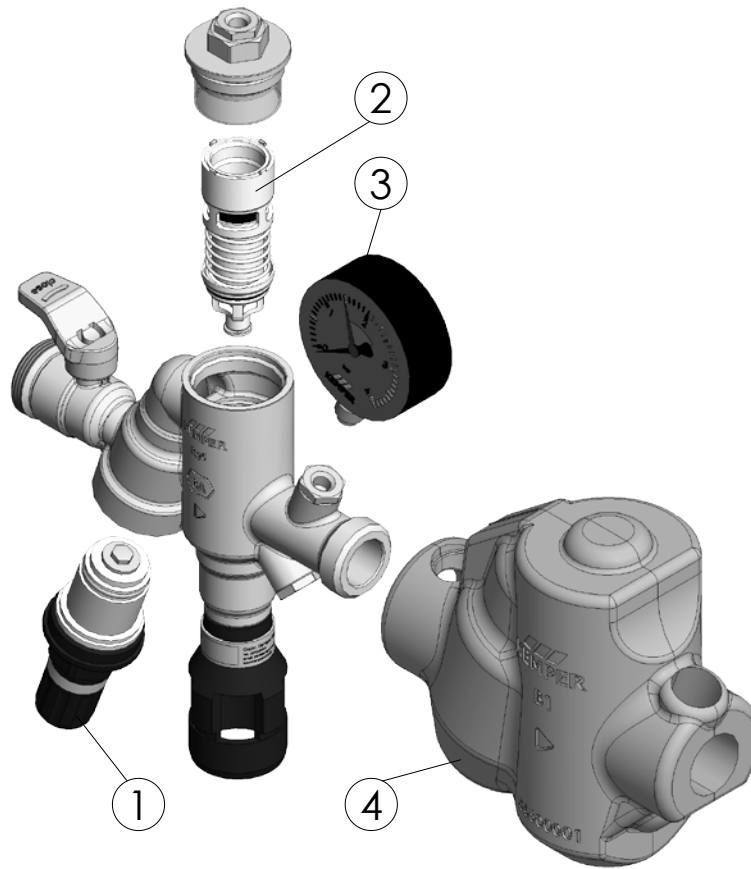
part no.			
D71003620200100			

Exploded view, PROTECT RPZ backflow preventer type BA,
fig. 361 01



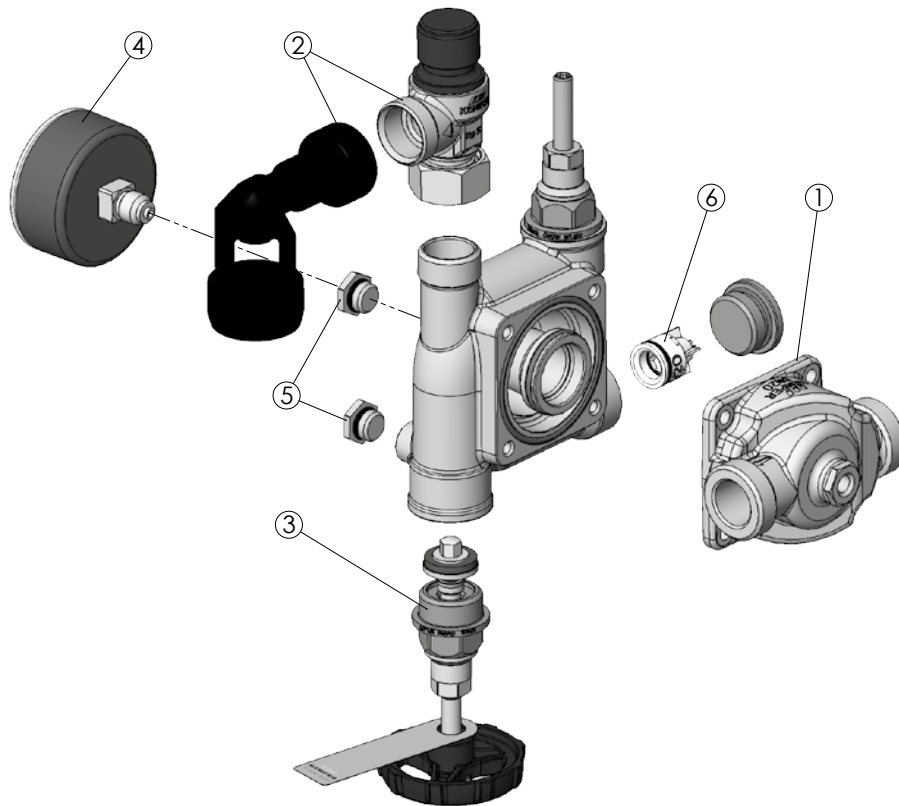
no.	description	part no.		
1.1	check valve inlet side, for DN 65-100	3619800200		
1.2	check valve inlet side, for DN 150	3619800600		
2.1	check valve outlet side, for DN 65-100	3619800300		
2.2	check valve outlet side, for DN 150	3619800700		
3	ball valve, for DN 65-150	3619900400		
4.1	seal kit, for DN 65-100	3619900500		
4.2	seal kit, for DN 150	3619900800		
5	drain valve, for DN 65-150	3619800100		
w/o illustr.	CV replacement tool RPZ backflow preventer BA, for DN 65-100	3619900900		
w/o illustr.	CV replacement tool for RPZ backflow preventer BA, for DN 150	3619901000		

Exploded view, FILL-MATIC 4 heater filling combination, type BA ,fig. 365 0G



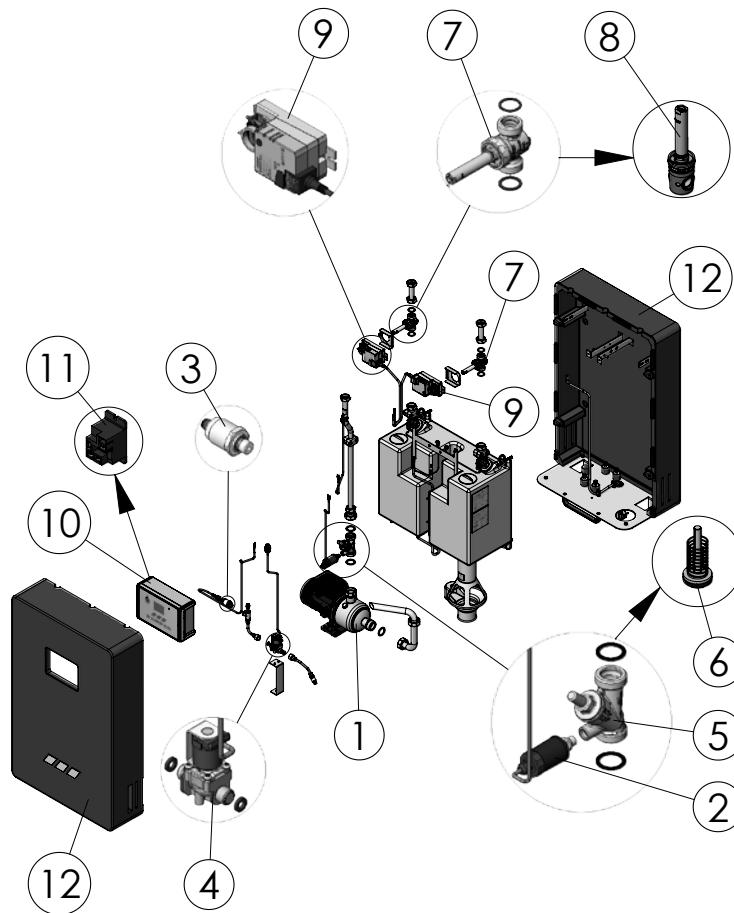
no.	description	part no.		
1	pressure reducing cartridge	P61003640002000		
2	replacement cartridge for RPZ backflow preventer BA PROTECT and FK-4 RPZ backflow preventer outlet	3600000100		
3	pressure gauge	T51003640000100		
4	insulating shell	N01003650000100		

Exploded view, safety group, fig. 714/715/716 0G



no.	description	part no.		
1	basic module, for DN 20	7000G02000		
2.1	Pressure relief valve 0.6 MPa incl. telescopic tundish, DN 20	E01097140102000		
2.2	pressure relief valve 0.8 MPa incl. telescope drain tundish, DN 20	E01097150102000		
2.3	pressure relief valve 1.0 MPa incl. telescope drain tundish, DN 20	E01097160102000		
3	WESER shut off bonnet, for DN 20	E010917302020KP		
4	manometer with backward connection G 1/4	T51007000000100		
5	threaded plug , for DN 15-50	J81011730000600		
6	CV cartridge, for DN 20	P41001580002000		

Exploded view, FK-5 break tank station, fig. 369



no.	description	part no.		
1.1	3HM04P pump for FK-5 DN 20	3691102000		
1.2	5HM05P pump for FK-5 DN 25	3691102500		
2	pressure transmitter type 501 for FK-5 DN 20 and DN 25	3691200100		
3	pressure transmitter type 525 for FK-5 DN 20 and DN 25	3691200200		
4	solenoid valve for FK-5 DN 20 and DN 25	3691300100		
5	anti-pollution check valve DN 25 for FK-5 DN 20 and DN 25	3691400100		
6	cone-type holder for check valve FK-5	3692000100		
7.1	quarter turn stop valve for FK-5 DN 20	3691502000		
7.2	quarter turn stop valve for FK-5 DN 25	3691502500		
8.1	quarter turn stop valve bonnet for FK-5 DN 20	3692102000		
8.2	quarter turn stop valve bonnet for FK-5 DN 25	3692102500		
9	TMC24A actuator for FK-5 DN 20 and DN 25	3691600100		
10.1	controller for FK-5 DN 20	3691700100		
10.2	controller for FK-5 DN 25	3691700200		
11	pump relay for controller FK-5	3691900100		
12	cover for FK-5 DN 20 and DN 25	3691800100		



filter cartridge

replacement for filter type F and PRV-filter combination, according to accepted materials list from German environmental agency

part no.	for DN		
7130000500	15-25		
7130000400	32-50		



strainer for pressure reducing valve and pressure reducing valve-filter combination

suitable for pressure reducer Fig. 710 OG and pressure reducer/filter combination Fig. 713 OG, according to accepted materials list from German environmental agency

part no.	for DN		
7100100100	15-25		
7100100200	32-50		



manometer with backward connection G 1/4

suitable for pressure reducing valve, filter and safety groups according to figure 710, 712, 713, 714, 715 and 716, pressure scale 0 to 10 bar, connection G 1/4, according to accepted materials list from German environmental agency

part no.			
T51007000000100			



manometer with below connection G 1/4

suitable for pressure reducing valve, filter and safety groups according to figure 710, 712, 713, 714, 715 and 716, pressure scale 0 to 10 bar, connection G 1/4, according to accepted materials list from German environmental agency

part no.			
T51007000000200			



PRV cartridge

replacement for PRV and PRV-filter combination and to convert filter type F to PRV-filter combination, according to accepted materials list from German environmental agency

part no.	for DN		
7100000100	15-25		
7100000200	32-50		



basic module

suitable for pressure reducing valve, filter and safety groups according to figure 710, 712, 713, 714, 715 and 716, according to accepted materials list from German environmental agency

part no.	for DN		
7000G01500	15		
7000G02000	20		
7000G02500	25		
7000G03200	32		
7000G04000	40		
7000G05000	50		

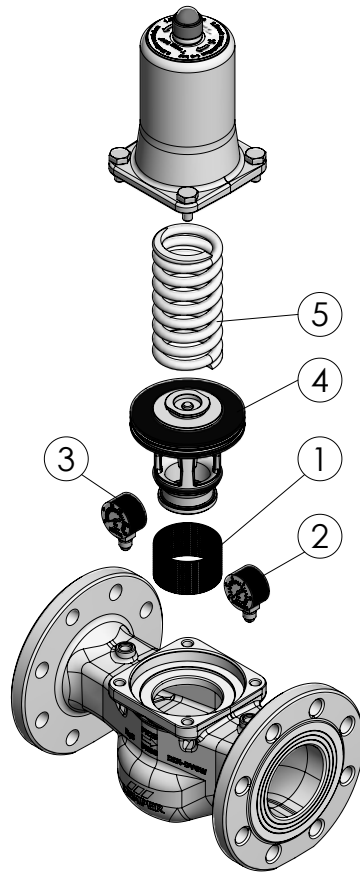


O-ring for basic module

suitable for pressure reducing valve, filter and safety groups according to figure 710, 712, 713, 714, 715 and 716, according to accepted materials list from German environmental agency

part no.	for DN		
7100200100	15-25		
7100200200	32-50		

Exploded view, pressure reducing valve, flanged,
fig. 711 00



no.	description	part no.		
1	screen DN 65/80	E31207110008000		
2	downstream pressure gauge 1-10 bar	T51007000000400		
3	upstream pressure gauge 1-25 bar	T51007000000300		
4	valve insert DN 65/80	Z01017110000100		
5	spring DN 65/80	C81207110008000		



MULTI-THERM control bonnet 50-65 °C for circulation control valves

suitable for figure 141, 143, with expansion element, balancing cone and protection cap, incl. bonnet gasket, wetted metal parts made from dezincification-free and corrosion-resistant gunmetal, resistant against aggressive water, DVGW approval, according to accepted materials list from German environmental agency, control range 50 °C - 65 °C

part no.	for DN		
E010914100015KP	15		
E010914100020KP	20		
E010914100025KP	25		



THERM control bonnet 30-50 °C for circulation control valves

suitable for figure 140 0G, 142 00, with expansion element, balancing cone, incl. bonnet gasket, wetted metal parts made from dezincification-free and corrosion-resistant gunmetal, resistant against aggressive water, according to accepted materials list from German environmental agency, control range 30 °C - 50 °C

part no.	for DN		
E010914000015KP	15		
E010914000020KP	20		
E010914000025KP	25		



stainless steel MULTI-THERM control bonnet 50-65 °C for circulation control valve

suitable for figure 041 0G, with expansion element, balancing cone and protection cap, incl. bonnet gasket, according to accepted materials list from German environmental agency

part no.	for DN		
E012004101015KP	15		



head part of stop valve for MULTI-THERM

suitable for figure 140, 141, 142, 143, isolating unit with temperature sensor pocket, wetted metal parts made from dezincification-free and corrosion-resistant gunmetal, resistant against aggressive water, according to accepted materials list from German environmental agency

part no.	for DN		
E01091400000300	15-20		



cap for stop valve unit MULTI-THERM

suitable for figure 140, 141, 142, 143

part no.	for DN		
Z01001400000100	15-25		



ETA-THERM control bonnet for circulation control valves

suitable for figure 130 0G, 131 00, 540 02, 542 2, 544 02, wetted metal parts made from dezincification-free and corrosion-resistant gunmetal, resistant against aggressive water, with expansion material control cone incl. stop, Colour of ring: natural colour/transparent, according to accepted materials list from German environmental agency, control range 56 °C - 58 °C

part no.	for DN		
E010954000015KP	15		



ETA-THERM control bonnet for circulation control valves

suitable for figure 134 0G, 136 00, 540 62, wetted metal parts made from dezincification-free and corrosion-resistant gunmetal, resistant against aggressive water, with expansion material control cone incl. stop, Colour of ring: red, according to accepted materials list from German environmental agency, control range 62 °C - 64 °C

part no.	for DN		
E01095400101500	15		



ETA-THERM control bonnet for circulation control valves

suitable for figure 132 0G, 540 42, wetted metal parts made from dezincification-free and corrosion-resistant gunmetal, resistant against aggressive water, with expansion material control cone incl. stop, Colour of ring: blue, according to accepted materials list from German environmental agency, control range 44 °C - 46 °C

part no.	for DN		
E01095400201500	15		



operating cover for flush-mounted UP-ETA-THERM

suitable for figure 540, 542, 544, 545, 546, chrome-plated cap with allen socket for 6 mm allen key under purple identification plate

part no.	for DN		
5910101500	15		



MULTI-FIX-PLUS balancing bonnet

for MULTI-FIX-PLUS static balancing valves from 01/2014 (figure 150 2G/4G/5G/6G and figure 151 02/04/05/06), wetted metal parts made from dezincification-free and corrosion-resistant gunmetal, resistant against aggressive water, incl. EPDM-bonnet gasket, according to accepted materials list from German environmental agency

part no.	for DN		
E010915002015KP	15		
E010915002020KP	20		
E010915002025KP	25		
E010915002032KP	32		
E010915002040KP	40		
E010915002050KP	50		



bonnet made of stainless steel for throttle valves

suitable for figure 078 0G, 078 1G and 178, EPDM coated and compact throttle cone, indication of pre-setting on bracket, according to accepted materials list from German environmental agency

part no.	for DN		
E012007800015KP	15		
E012007800020KP	20		
E012007800025KP	25		
E012007800032KP	32		



sensor replacement set CONTROL PLUS

suitable for CONTROL PLUS flow and temperature measurement valve figure 138 4G, according to accepted materials list from German environmental agency

part no.	for DN		
1384G11000	10		
1384G11500	15		
1384G12000	20		
1384G12500	25		
1384G13200	32		
1384G14000	40		
1384G15000	50		



sensor replacement set CONTROL PLUS BMS version

suitable for CONTROL PLUS flow and temperature measurement valve figure 138 6G, according to accepted materials list from German environmental agency

part no.	for DN		
1386G11000	10		
1386G11500	15		
1386G12000	20		
1386G12500	25		
1386G13200	32		
1386G14000	40		
1386G15000	50		



Drain elbow for sampling valve

suitable for figure 187 00 und 087 00, sampling pipe can be disinfected by flame, compression ring, compression nut, according to accepted materials list from German environmental agency

part no.

1879900200



key for sampling valve

suitable for sampling valve with triangular socket figure 187 00

part no.

B51001870300100



CV cartridge for angled sampling valve

suitable for sampling valve for angle valve at wash basin figure 188 00/01, according to accepted materials list from German environmental agency

part no.

1889900100



drain elbow for angled sampling valve

suitable for sampling valve for angle valve at wash basin figure 188 00/01, according to accepted materials list from German environmental agency

part no.

1889900200

Flush-mounted valves, old design, with brass shaft and square spindle (production up to 1997)



/// set for final installation with operating handle

suitable for UP valves Production until 1997, suitable for frost-proof external valves Production until 1998, with chrome-plated collar, including red and blue identification screw, including clamping unit and clamping rings suitable for each size

part no.	for DN		
5880002500	15-32		



/// set for final installation as change stopper

suitable for UP valves Production until 1997, suitable for frost-proof external valves Production until 1998, with chrome-plated collar, including red and blue identification screw, including clamping unit and clamping rings suitable for each size

part no.	for DN		
5890002500	15-25		



/// socket wrench for flush-mounted valves, for final installation set operating grip

with internal toothing for operation with removed operating grip, suitable for all sizes, suitable for UP valves Production until 1997

part no.	for DN		
B51055000000100	15-25		



/// socket wrench for flush-mounted valves, for final installation set operating grip

with 7 mm female square drive, for operation of the square spindle after removal of the final installation set, suitable for all sizes, suitable for UP valves Production until 1997

part no.	for DN		
B51055000000200	15-25		



/// extension for valves, for final assembly set operating grip, to 35 mm

suitable for flush-mounted valves manufactured until 1997 and frost-proof outdoor valves manufactured until 1998, incl. brass clamping ring, suitable for all sizes (the plastic clamping ring required to adjust the shaft diameter out of the final assembly set to be used)

part no.			
5980003500			

Flush-mounted valves, old design, with brass shaft and square spindle (production up to 1997)



extensions for valves, for final assembly set operating grip, to 65 mm

suitable for flush-mounted valves manufactured until 1997 and frost-proof outdoor valves manufactured until 1998, incl. brass clamping ring, suitable for all sizes (the plastic clamping ring required to adjust the shaft diameter out of the final assembly set to be used)

part no.

5980006500



Extension for valves, for operating handle assembly set, up to 130 mm

suitable for flush-mounted valves manufactured until 1997 and frost-proof outdoor valves manufactured until 1998, incl. brass clamping ring, suitable for all sizes (the plastic clamping ring required to adjust the shaft diameter out of the final assembly set to be used)

part no.

5980013000



Extension for valves, for assembly set with operating cover, up to 65 mm

incl. brass clamping ring, suitable for all sizes (the plastic clamping ring required to adjust the shaft diameter out of the final assembly set to be used), suitable for UP valves Production until 1997

part no.

5980206500



inner top part for flush-mounted valves (from 1985 to 1997) with shaft length to 80 mm

complete with valve cone and cone seal, suitable for UP valves Production until 1997, according to accepted materials list from German environmental agency

part no.	for DN	shaft's outer diameter (mm)	shaft's inner diameter (mm)	thread
E010958000015KP	15	34	27	M 21 x 1,25
E010958000020KP	20	40	33	M 26 x 1,5
E010958000025KP	25	47	40	M 33 x 1,5



inner top part for flush-mounted valves (from 1985 to 1997) with shaft length to 180 mm

complete with valve cone and cone seal, suitable for UP valves Production until 1997, 110 mm, shortenable to any length, according to accepted materials list from German environmental agency

part no.	for DN	shaft's outer diameter (mm)	shaft's inner diameter (mm)	thread
E010958200015KP	15	34	27	M 21 x 1,25
E010958200020KP	20	40	33	M 26 x 1,5
E010958200025KP	25	47	40	M 33 x 1,5

Flush-mounted valves, old design, with brass shaft and square spindle (production up to 1997)



tubular box spanner, size 17/18, 550 mm

for dismantling and replacing inner top parts of frost-proof outdoor valves, Figures 570–572, and inner top parts of the UP and UP-PLUS series, external hex SW17, UP-PLUS series gunmetal, external hex SW18, stainless steel UP-PLUS and UP series, frost-proof outdoor valves Figures 570–572

part no.

B5120500000400



hexagon socket key, size 19

for dismantling and replacing inner top parts of the ETA-THERM floor balancing valves, internal hex SW19

part no.

B51205990001500



UP-PLUS inner top part

to isolate, regulate and pre-set, with stainless steel cone, EPDM-seat gasket, incl. plastic operating spindle that can be cut to length, wetted metal parts made from dezincification-free and corrosion-resistant gunmetal, resistant against aggressive water, according to accepted materials list from German environmental agency

part no.	for DN	shaft's inner diameter (mm)	thread		
E010956001015KP	15-20	26	M 21 x 1,25		
E010956001025KP	25-32	35	M 33 x 1,5		



combined stop-and check valve inner top part for gunmetal flush-mounted valves UP-PLUS

EPDM-seat gasket, incl. plastic operating spindle that can be cut to length, wetted metal parts made from dezincification-free and corrosion-resistant gunmetal, resistant against aggressive water, check valve with SST spring, according to accepted materials list from German environmental agency

part no.	for DN	shaft's inner diameter (mm)	thread		
E01095610001500	15-20	26	M 21 x 1,25		



stainless steel UP-PLUS inner top part

to isolate, regulate and pre-set, EPDM-seat gasket, incl. plastic operating spindle that can be cut to length, wetted parts made of stainless steel, according to accepted materials list from German environmental agency

part no.	for DN	shaft's inner diameter (mm)	thread		
E01200560001500	15-20	26	G 1/2		
E01200560002500	25	35	G 1		



control spindle for flush-mounted valves UP-PLUS

90 mm, can be cut to length, made of plastic, external toothing and internal toothing for connection to the valve bonnet

part no.	for DN		
P01005600001500	15-20		
P01005600002500	25-32		



UP-PLUS extension spindle

90 mm, can be cut to length, made of plastic, external multi toothing and one-way slide-on socket for connection to control spindle of the inner top part

part no.	for DN		
P01005620000100	15-32		



plastic shaft for UP-PLUS flush-mounted valves and UP-PLUS extension set

glass fibre-reinforced, continuous external thread, one-way socket for screwing onto flush-mounted valve housing and flush-mounted shafts, 90 mm, shortenable to any length

part no.	for DN	shaft's inner diameter (mm)		
L01005600001500	15-20	26		
L01005600002500	25-32	35		



handle for flush-mounted valves

for UP-PLUS, UP-ETA-THERM, UP quarter turn stop valves and water meter combinations CLASSIC, chrome-plated collar, chrome-plated collar, with fixing set for mounting in plastic shaft of flush-mounted valves, including red and blue indicator plates to indicate hot or cold water,

note: for UP quarter turn stop valves, please select DN 25

part no.	for DN	shipping weight (kg)		
5900001500	15-20	0.19		
5900002500	25-32	0.20		



operating cover for flush-mounted valves

for UP-PLUS, UP-ETA-THERM, UP quarter turn stop valves and water meter combinations CLASSIC, chrome-plated collar, chrome-plated collar, with fixing set for mounting in plastic shaft of flush-mounted valves, allen key 6 mm operated to protect against unauthorized handling, including red and blue indicator plates to indicate hot or cold water,

note: for UP quarter turn stop valves, please select DN 25

part no.	for DN	shipping weight (kg)		
5910001500	15-20	0.10		
5910002500	25-32	0.12		



RG120 inner top part

suitable for RG120 stop valve water meter combinations figure 855 47 and RG120-DUO stop valve water meter mounting blocks according to figure 854, suitable for DUO stop valve water meter box Figure 870 07, according to accepted materials list from German environmental agency

part no.	for DN		
E01098540002000	20		



ECO-DUO upper part

suitable for figure 853 07, according to accepted materials list from German environmental agency

part no.	for DN		
E01051530002000	20		



operating cap

suitable for figure 560 31, 860 05, 870 07 and TRESOR wall cabinets with water supply valve

part no.			
5900300100			

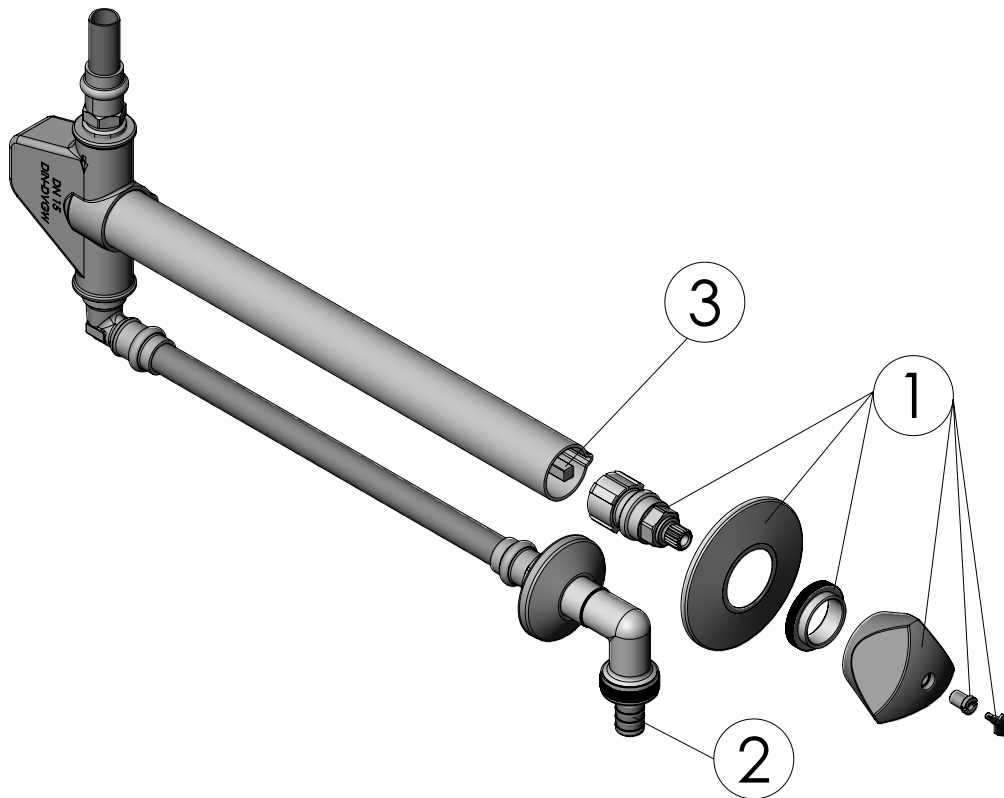


CLASSIC inner top part

suitable for CLASSIC stop valve water meter combinations figure 855 27 and figure 867 27, according to accepted materials list from German environmental agency

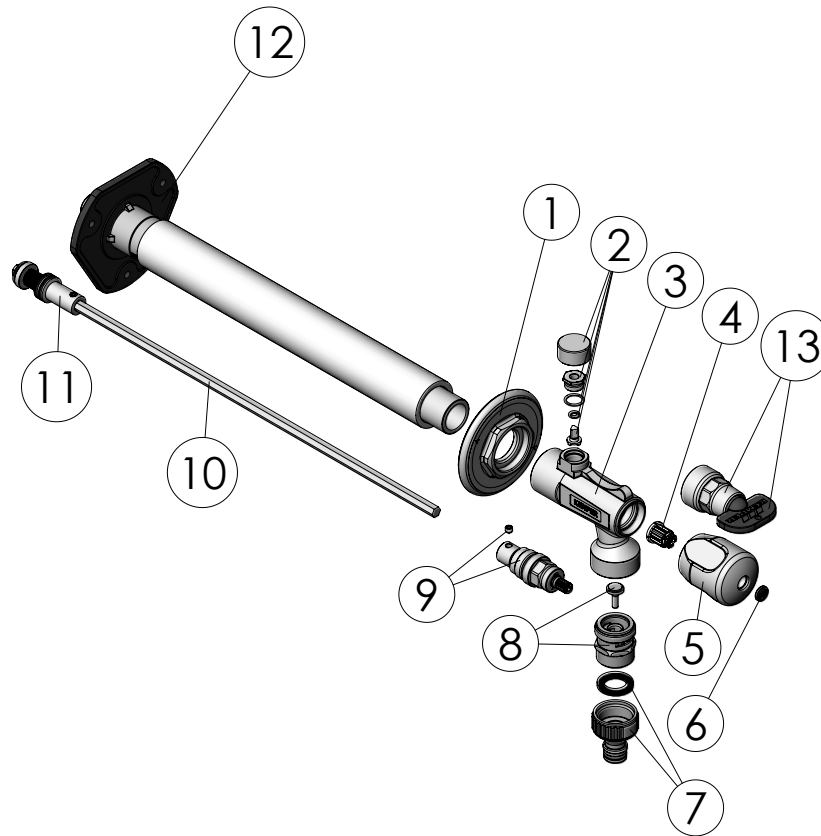
part no.	for DN		
E01098500101500	20		

Exploded view, frost-proof outdoor valve, fig. 570/571/572
(production up to 1998)



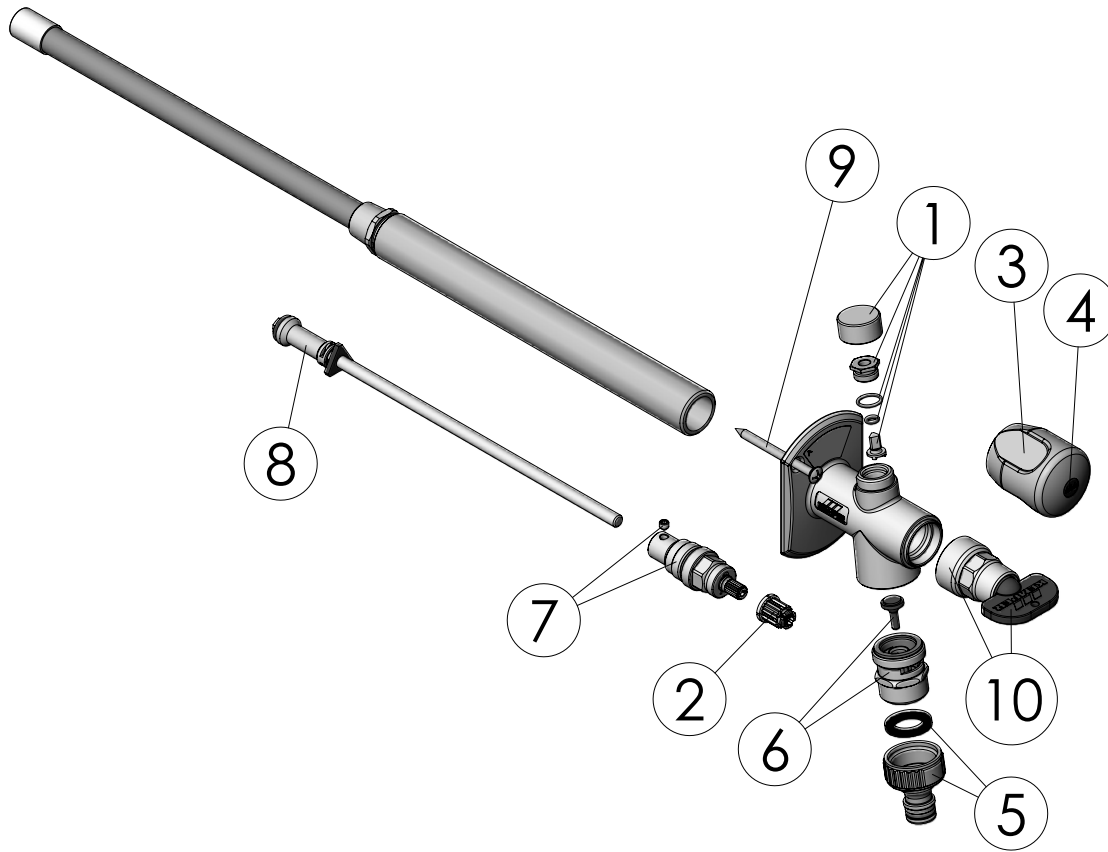
no.	description	DN 15			DN 20		
		part no.			part no.		
1	set for final installation with operating handle, for DN 15-32	5880002500			5880002500		
2	elbow with collar and hose coupling	J61055700001500			note: inner top part DN 20 only from sale of stock!		
3.1	inner top part with control spindle, 300 mm, shortenable by 110 mm max.	E010957000015KP			note: inner top part DN 20 only from sale of stock!		
3.2	inner top part with control spindle, 400 mm, shortenable by 110 mm max.	E010957100015KP			note: inner top part DN 20 only from sale of stock!		
3.3	inner top part with control spindle, 500 mm, shortenable by 110 mm max.	E010957200015KP			note: inner top part DN 20 only from sale of stock!		
w/o illustr.	inner top part with control spindle, 500 mm, shortenable by 110 mm max.	E010957200020KP			E010957200020KP		
w/o illustr.	set for final installation as change stopper, for DN 15-25	5890002500			A61095700001500		
w/o illustr.	cone for frost-proof outdoor valve, for DN 20	A61095700002000			A61095700002000		
w/o illustr.	extensions for valves, for final assembly set operating grip, to 65 mm	5980006500			5980006500		
w/o illustr.	Extension for valves, for operating handle assembly set, up to 130 mm	5980013000			5980013000		
w/o illustr.	Extension for valves, for assembly set with operating cover, up to 65 mm	5980206500			5980206500		

Exploded view of FROSTI® frost-proof outdoor valve fig. 573 / 575 (production up to 06/2006)



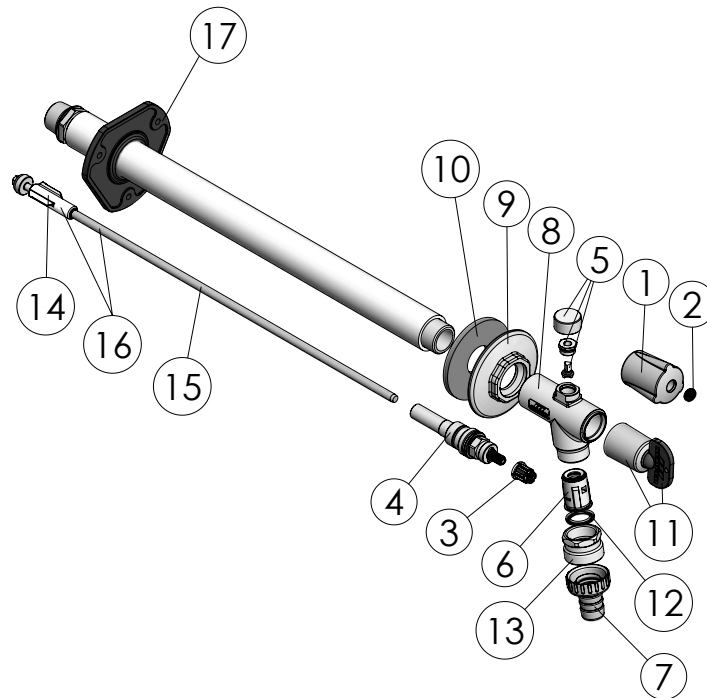
no.	description	DN 15			DN 20		
		part no.			part no.		
1	elbow with brackets	L41055750001500			L41055750001500		
2	breather	E21055730000100			E21055730000100		
3	drain housing	replaced by assembly kit (see below)					
4-6	set for final installation grip, complete	5900100100			5900100100		
7	hose coupling	Z21005741601500			5741402000		
8.1	tube diffuser with fine/inch thread	P310557502015KP			Z21055750002000		
8.2	adapter with inch thread for tube diffuser	P31055750501500					
9	inner top part	E01055750001500			E01055750001500		
10	XL Spindle, 500 mm	L51055750000300			L51055750000300		
10 + 11	valve plug with CV and XL spindle	B81095750001500			B81095750001500		
11	valve plug with check valve	B81095730301500			B81095730301500		
12	mounting plate	C21005750000100			C21005750000100		
13	socket key operated	5750000100			5750000100		
w/o illustr.	rebuild kit for "Frosti" 573 / 575, wrench operated tap	5741501500			see DN 15 (DN 20 out of stock)		
w/o illustr.	extension	5750000200			5750000200		
w/o illustr.	operating handle for FROSTI®, lockable	5750000300			5750000300		
w/o illustr.	dismantling key for lockable operating handle	5750100300			5750100300		
w/o illustr.	valve plug without check valve for frost-proof outdoor tap using rainwater	B81095730101500			B81095730101500		
w/o illustr.	cone without guide for angled housing (year of construction 1998-1999)	B810957305015KP			B810957305015KP		

Exploded view of FROSTI® frost-proof outdoor valve
fig. 576 02 (production up to 2006)



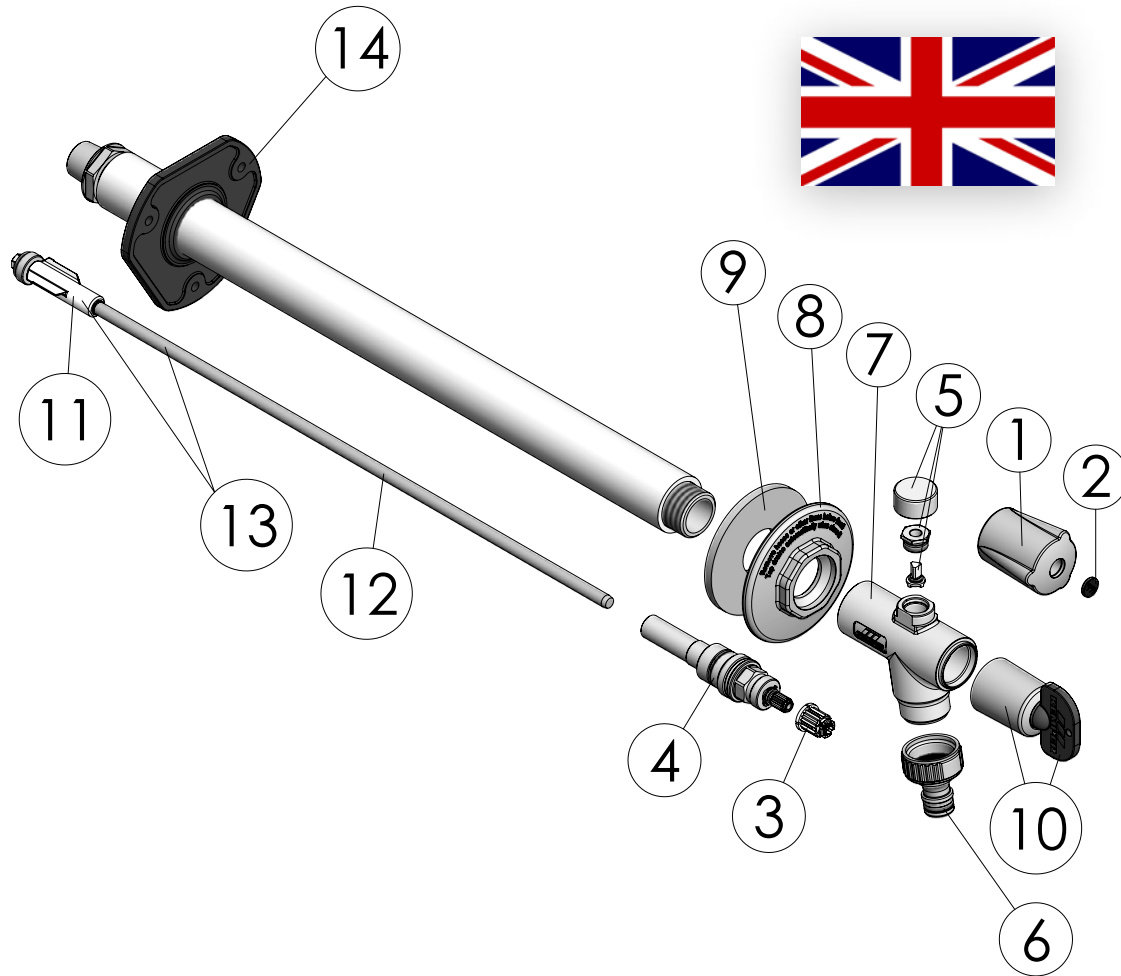
pos.	description	part no.		
1	breather	E21055730000100		
2-4	set for final installation grip, complete	5900100100		
5	hose coupling	Z21005741601500		
6	tube diffuser with fine/inch thread	P310557502015KP		
7	inner top part	E01055750001500		
8	valve plug with check valve and shaft	B81095760301500		
9	fixing screw	D31209990100200		
10	socket key operated	5750000100		
w/o illustr.	operating handle for FROSTI®, lockable	5750000300		
w/o illustr.	dismantling key for lockable operating handle	5750100300		

Exploded view FROSTI® frost-proof outdoor valve fig. 574 00/03/05 (production from 07/2006)



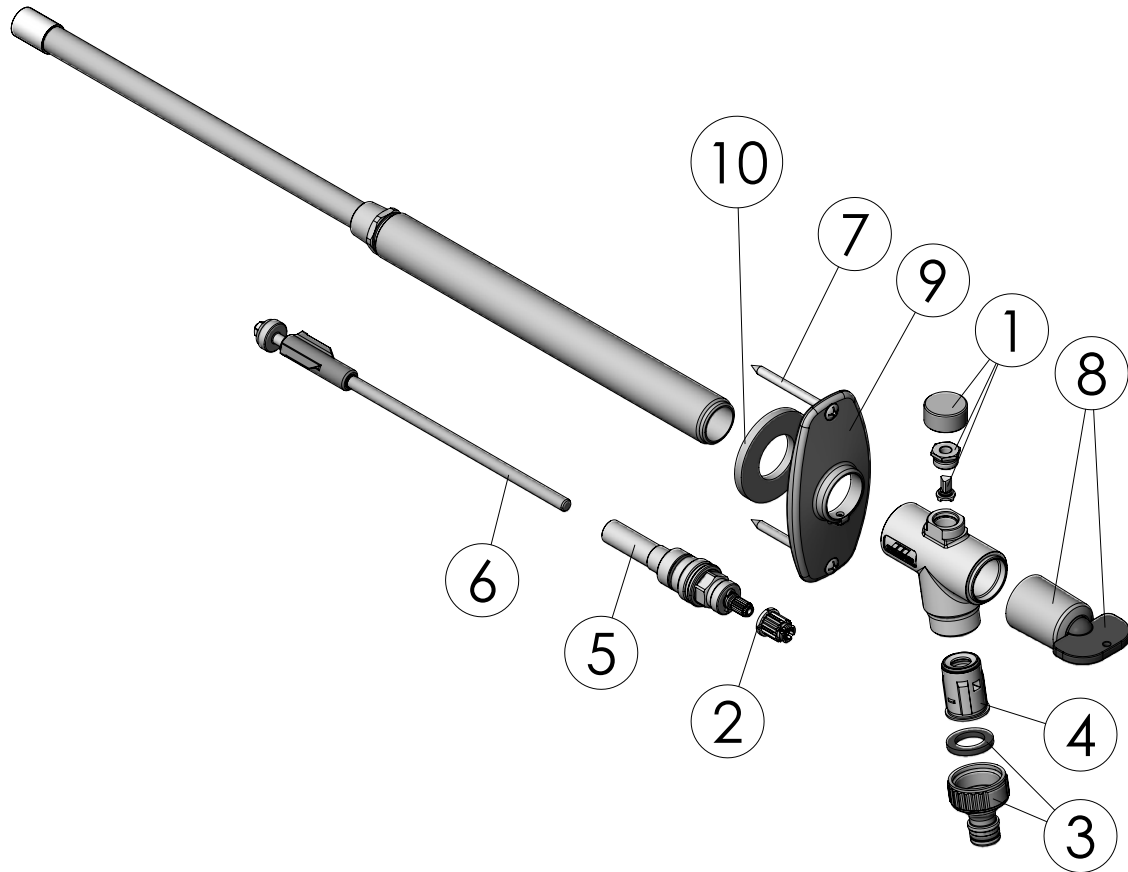
no.	description	DN 15			DN 20		
		part no.			part no.		
1-10, 12+13	set for final installation grip	5740101500			5740102000		
3-13	rebuild kit for "Frosti" 574	5741001500			5741002000		
1-3	FROSTI® operating knob complete	5740100100			5740100100		
4	inner top part	E010557400015KP			E010557400015KP		
5	breather	E21055730000100			E21055730000100		
6	plug-In tube diffuser including cone	P310057400015KP			P310057400015KP		
7	hose coupling	Z21005741601500			5741402000		
8 (incl.5&6)	FROSTI valve body Incl. aerator	5740201500			5740201500		
9	elbow with brackets	L41055740001500			L41055740001500		
10	PE gasket	C31005740000100			C31005740000100		
11+3	socket key operated for FROSTI®	5740000100			5740000100		
12	EPDM gasket for union connections	C31004760701500			C31004760701500		
13	hose nozzle adapter				P31055740002000		
14	valve plug with check valve	B81095740301500			B81095740301500		
15.1	spindle	L51055740000100			L51055740000100		
15.2	XL Spindle	L51055740000300			L51055740000300		
16.1	valve plug with check valve and shaft	B810957400015KP			B810957400015KP		
16.2	valve plug with CV and XL spindle	B810957405015KP			B810957405015KP		
17	fixing set for FROSTI®-PLUS	5740000500			5740000500		
w/o illustr.	extension for FROSTI®-PLUS	5740000200			5740000200		
w/o illustr.	operating handle for FROSTI®, lockable	5750000300			5750000300		
w/o illustr.	dismantling key for lockable operating handle	5750100300			5750100300		
w/o illustr.	FROSTI® special extension	5740300500			5740300500		
w/o illustr.	cone without CV	B81095740101500			B81095740101500		

Exploded view, FROSTI® frost-proof outdoor valve, UK version, fig. 574 11



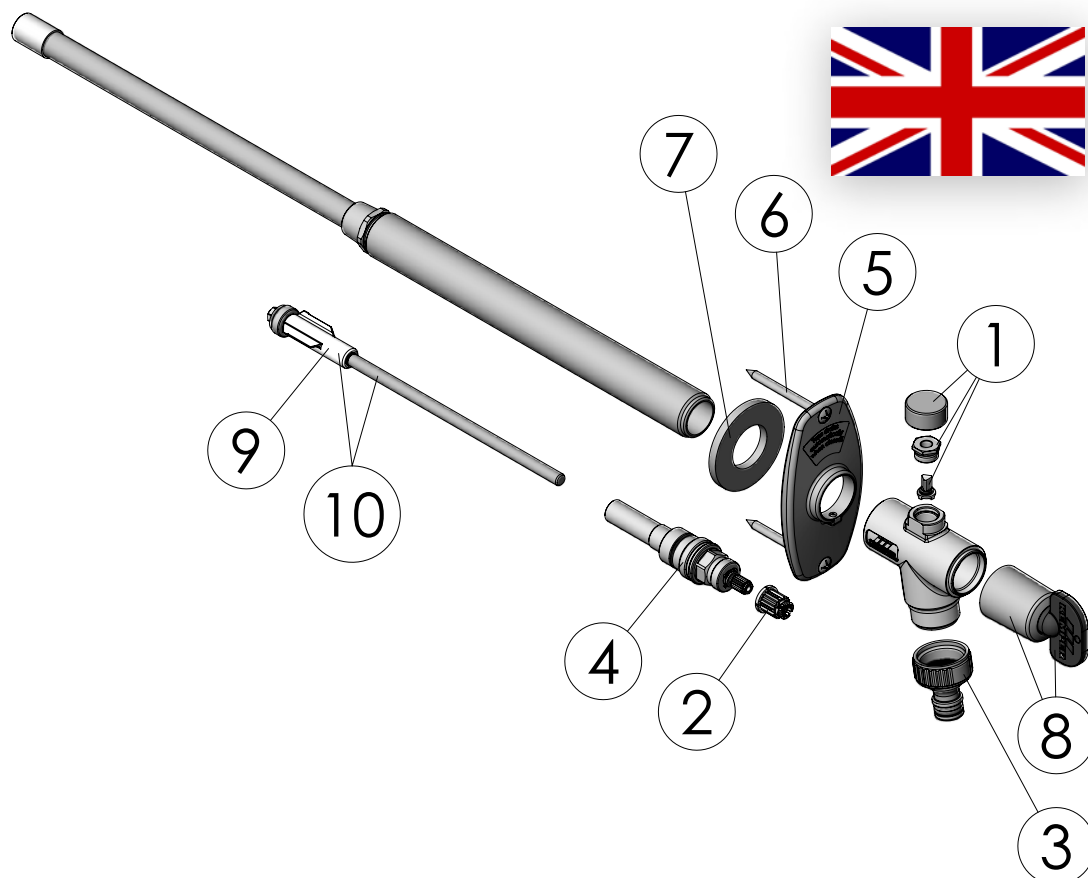
no.	description	part no.		
1-3	FROSTI® operating knob complete	5740100100		
4	inner top part UK	E010557401015KP		
5	breather	E21055730000100		
6	hose coupling	Z21005741601500		
7 (inkl. 5)	drain housing UK	5741201500		
8	wall plate UK	L41055740301500		
9	PE gasket	C31005740000100		
10+3	socket key operated for FROSTI®	5740000100		
11	cone without CV	B81095740101500		
12	spindle	L51055740000100		
13	cone without CV UK	B810957411015KP		
14	mounting plate / PE seal disc	C21005740000100		
w/o illustr.	fixing set for FROSTI®-PLUS	5740000500		
w/o illustr.	extension for FROSTI®-PLUS	5740000200		
w/o illustr.	operating handle for FROSTI®, lockable	5750000300		
w/o illustr.	dismantling key for lockable operating handle	5750100300		
w/o illustr.	FROSTI® special extension	5740300500		

Exploded view FROSTI® frost-proof outdoor valve fig. 577 02 (production from 2007)



no.	description	part no.		
1	breather	E21055730000100		
2	snap sleeve	L11005900000100		
3	hose coupling	Z21005741601500		
4	plug-in tube diffuser including cone	P310057400015KP		
5	inner top part	E010557400015KP		
6	valve plug with check valve and shaft	B81095770001500		
7	fixing screw	D31209990100200		
8	socket key operated for FROSTI®	5740000100		
9	elbow with brackets	L41055770101500		
10	PE gasket	C31005740000200		
w/o illustr.	operating handle for FROSTI®, lockable	5750000300		
w/o illustr.	dismantling key for lockable operating handle	5750100300		
w/o illustr.	FROSTI® operating knob complete	5740100100		
w/o illustr.	FROSTI collar XL	5771201500		

Exploded view, FROSTI® frost-proof outdoor valve, UK version, fig. 577 11



no.	description	part no.		
1	breather	E21055730000100		
2	snap sleeve	L11005900000100		
3	hose coupling	Z21005741601500		
4	inner top part UK	E010557401015KP		
5	elbow with brackets	L41055770101500		
6	fixing screw	D31209990100200		
7	PE gasket	C31005740000200		
8	socket key operated for FROSTI®	5740000100		
9	cone without CV	B81095740101500		
10	cone without CV and spindle UK	B810957711015KP		
w/o illustr.	operating handle for FROSTI®, lockable	5750000300		
w/o illustr.	dismantling key for lockable operating handle	5750100300		



TRESOR lock

suitable for TRESOR wall cabinets

part no.

21099002KP



TRESOR lock with uniform key number

suitable for TRESOR wall cabinets

part no.

21099003KP



TRESOR mounting plate for sockets

suitable for TRESOR wall cabinets according to figure 210 and 213

part no.

E21202100300100



hose coupling for Wall-Cabinets TRESOR

suitable for TRESOR wall cabinets

part no.

G310121007015KP



TRESOR lock cylinder case

suitable for TRESOR wall cabinets

part no.

2109800100



inner top part for KHS quarter turn stop valves with actuator

consisting of spindle, rotatable stainless steel-cone and EPDM-packing, according to accepted materials list from German environmental agency

part no.	for DN		
E012068600020KP	15-20		
E012068600025KP	25		
E012068600032KP	32		



actuator 24V for KHS quarter turn stop valves

suitable for figure 686 00

part no.	for DN		
6860000100	15-20		
6860000200	25-32		



spring return actuator 24V for KHS quarter turn stop valves

suitable for Figs. 686 01, 684 00, 684 01

part no.	for DN		
6860000300	15-20		
6860000400	25-32		



actuator 230V for KHS quarter turn stop valves

suitable for figure 620 00, 686 04, 686 08

part no.	for DN		
6860000500	15-20		
6860000600	25-32		



spring return actuator 230V for KHS quarter turn stop valves

suitable for Figs. 620 01, 686 05, 686 09, 684 04, 684 05

part no.	for DN		
6860000700	15-20		
6860000800	25-32		



KHS quarter turn stop valve without servo drive

suitable for figure 620 00, 620 01, 686 01, 686 04, 686 05, 686 08, 686 09

part no.	for DN		
6860G01500	15		
6860G02000	20		
6860G02500	25		
6860G03200	32		



network cable for KHS Mini Control System MASTER 2.0/2.1, from HW version 2.01

suitable for figure 686 02 008

part no.			
6860202000			



microSD card for network module in KHS Mini Control System MASTER 2.0/2.1

suitable for figure 686 02 008, Industry standard, pre-configured

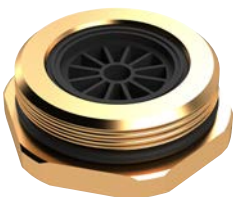
part no.			
6860202200			



spare parts set aerator for free drain until 07/2017

suitable for Fig. 688

part no.	for DN		
6880100100	20		
6880100200	25-32		



spare parts set areator for free drain from 07/2017

suitable for Fig. 688

part no.	for DN		
6880200100	20		
6880200200	25-32		



//// aerator set incl. flow limiter (4, 10, 20 l/min) for KHS Flush Points, Figure 684 00/01/04/05

wetted metal parts made from dezincification-free and corrosion-resistant gunmetal, resistant against aggressive water, for pressure independent flow limitation, free from dead spots, plastic parts with KTW and W 270 certification, operating pressure PN 10, 4 l/min, 10 l/min, 20 l/min, according to UBA (Federal Environmental Agency) valuation basis

part no.	shipping weight (kg)		
6841000100	0.06		



//// spare parts set float switch for free drain

suitable for figure 688 00, 684 00, 684 01, 684 04 and 684 05

part no.			
6880000100			



//// actuator 230V for KHS CoolFlow cold water balancing valve

suitable for Fig. 615 0G

part no.	for DN		
6150000100	15		



//// actuator 24V for KHS CoolFlow cold water balancing valve

suitable for Fig. 616 0G

part no.	for DN		
6160000100	15		



//// cooling pump for KHS CoolFlow cold water cooler

suitable for KHS CoolFlow cooler, figure 610 01, PWM-controlled coolant pump

part no.	shipping weight (kg)		
6120100100	1.74		



cold water circulation pump for KHS CoolFlow cold water cooler

suitable for KHS CoolFlow cooler, figure 610 01, wetted parts on the drinking-water side made of gunmetal, stainless steel and drinking-water-approved plastics, PWM-controlled circulation pump with gunmetal housing and integrated check valve

part no.	shipping weight (kg)		
6120200100	3.61		



controller for KHS CoolFlow cold water cooler

suitable for KHS CoolFlow cooler, figure 610 01

part no.	shipping weight (kg)		
6120300100	0.54		



plate heat exchanger for KHS cold water cooler

suitable for KHS CoolFlow cooler, figure 610 01, plate heat exchanger made of stainless steel grade 1.4401/1.4404

part no.	shipping weight (kg)		
6120400100	2.40		



Skymantle wrapping for KHS CoolFlow cold water cooler

suitable for KHS CoolFlow cooler, figure 610 01

part no.	shipping weight (kg)		
6120700100	1.70		



top cover for KHS CoolFlow cold water cooler

suitable for KHS CoolFlow cooler, figure 610 01

part no.	shipping weight (kg)		
6120800100	1.40		



Control unit PRO for KHS Hygiene Flush Box

rapid assembly by clicking into top-hat rails,

note: for upgrading the Hygiene Flush Box PURE to the Hygiene Flush Box PRO

part no.	shipping weight (kg)
6890401200	0.97



flow sensor for KHS Hygiene Flush Box PRO

Flow and temperature sensor (Pt1000) to record flushing volumes, bracket for flow sensor and connection cable included in the scope of delivery,

note: for upgrading the Hygiene Flush Box PURE to the Hygiene Flush Box PRO

part no.	shipping weight (kg)
6890402000	0.09



water exchange group PURE for KHS Hygiene Flush Box

water exchange groups for e.g. cold drinking water (PWC) and hot drinking water (PWH), wetted metal parts made from dezincification-free and corrosion-resistant gunmetal, resistant to aggressive water, stainless steel and drinking water-approved plastics, solenoid valve and aerator set incl. flow limiter (FL 5 l/min, 10 l/min, 15 l/min) included in the scope of delivery, factory-installed flushing set for commissioning, rapid assembly with fastening parts included,

note: as extension components for upgrading the single-port Hygiene Flush Station PURE to double port

part no.	shipping weight (kg)
6890402200	0.79



water exchange group PRO for KHS Hygiene Flush Box

water exchange groups for e.g. cold drinking water (PWC) and hot drinking water (PWH), wetted metal parts made from dezincification-free and corrosion-resistant gunmetal, resistant to aggressive water, stainless steel and drinking water-approved plastics, solenoid valve, flow sensor for KHS Hygiene Flush Box PRO and aerator set incl. flow limiter (FL 5 l/min, 10 l/min, 15 l/min) included in the scope of delivery, factory-installed flushing set for commissioning, rapid assembly with fastening parts included,

note: as extension components for upgrading the single-port Hygiene Flush Station PRO to double port

part no.	shipping weight (kg)
6890402300	0.84



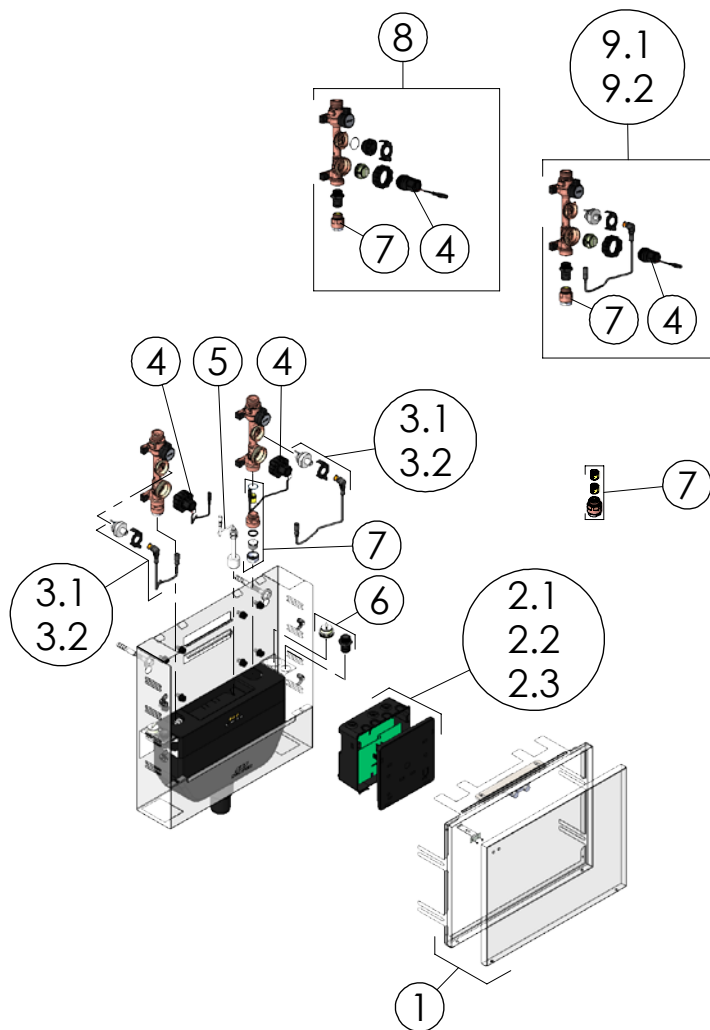
water exchange group LITE for KHS Hygiene Flush Box

water exchange groups for e.g. cold drinking water (PWC) and hot drinking water (PWH), wetted metal parts made from dezincification-free and corrosion-resistant gunmetal, resistant to aggressive water, stainless steel and drinking water-approved plastics, solenoid valve, flow sensor for KHS Hygiene Flush Box LITE and aerator set incl. flow limiter (FL 5 l/min, 10 l/min, 15 l/min) included in the scope of delivery, factory-installed flushing set for commissioning, rapid assembly with fastening parts included,

note: as extension components for upgrading the single-port Hygiene Flush Station LITE to double port

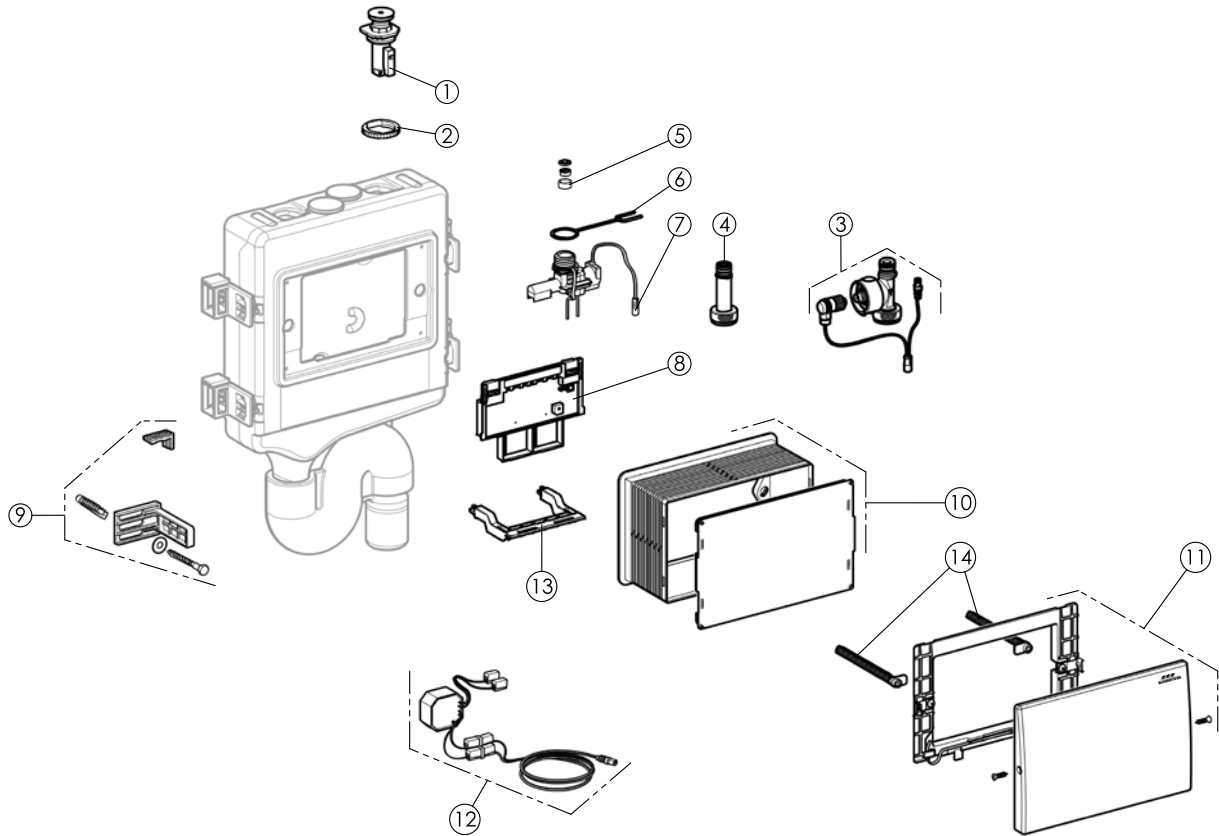
part no.	shipping weight (kg)		
6890402400	0.82		

Exploded view of KHS Hygiene Flush Box figure 689 03 005/006/007/008/009/010



no.	description	part no.		
1	mounting frame and cover for KHS Hygiene Flush Box	6890401800		
2.1	Control unit PRO for KHS Hygiene Flush Box	6890401200		
2.2	Control unit PURE for KHS Hygiene Flush Box	6890401100		
2.3	Control unit LITE for KHS Hygiene Flush Box	6890401300		
3.1	flow sensor for KHS Hygiene Flush Box PRO	6890402000		
3.2	flow sensor for KHS Hygiene Flush Box LITE	6890402100		
4.1	solenoid valve for KHS Hygiene Flush Box	6890401600		
4.2	float switch for KHS Hygiene Flush Box	6890401700		
5	plug and nozzle for solenoid valve of KHS Hygiene Flush Box	6890402500		
6	Aerator set for KHS Hygiene Flush Box PRO, PURE and LITE	6890401900		
7	water exchange group PURE for KHS Hygiene Flush Box	6890402200		
8	water exchange group PRO for KHS Hygiene Flush Box	6890402300		
9	water exchange group LITE for KHS Hygiene Flush Box	6890402400		

Exploded view of KHS HS2® hygienic flushing box fig. 689 03



no.	description	part no.		
1	ball valve	6860301100		
2	check nut for KHS HS2 hygiene flushing box	H91056860301000		
3	CONTROL-PLUS flow measurement valve for KHS HS2® hygienic flushing box	6894G00100		
4	coupling piece (for hygiene flushing box without flow sensor)	C11056890304600		
5	service set (4, 10, 15 l/min) for KHS HS2® hygienic flushing box	6899900100		
6	solenoid valve locking tab	6891100100		
6+7	solenoid valve unit	E41006890301200		
8	control unit	E41006890301400		
9	fixing set for KHS HS2 hygiene flushing box	6860301900		
10	protection cover for KHS HS2 hygiene flushing box	B31006860301500		
11	cover plate	B31006890301600		
12	power pack with output cable, length 5 m, for KHS HS2 hygiene flushing box	E41006860301800		
13	control unit bracket	6891000100		
14	distance bolt for cover plate	6890302000		



SD card for KTS ComLog module

suitable for figure 955 02, Industry standard, pre-configured

part no.			
9550200200			



door incl. frame of flush-mounted built-in cabinet for KTS ThermoStation

suitable for figure 935

part no.			
9350400100			



door incl. frame for flush-mounted cabinet for KTS ThermoStation with panel heating module

suitable for figure 935 03

part no.			
9350500100			



pump for circulation module for KTS ThermoStation

with drain valve and rotatable G 3/4 hose connection, Circulation pump with gunmetal housing and integrated check valve

part no.			
9310100200			



feet for KTS-ThermoTanks

suitable for KTS ThermoTank, set consisting of three feet

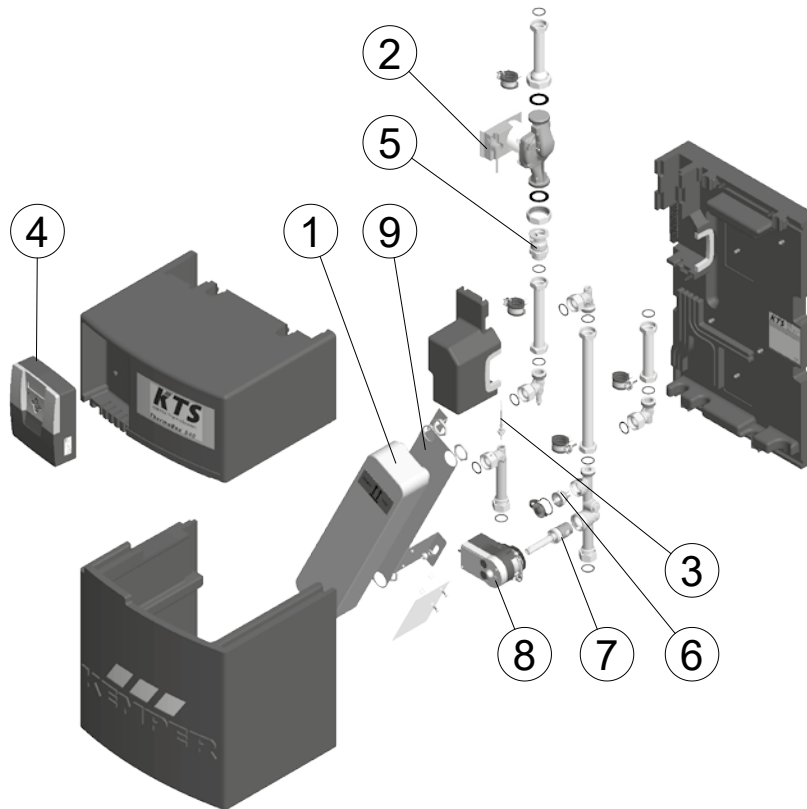
part no.	for ThermoTank		
9500400100	1000 l		
9500400200	1500 l / 2000 l		



Spare parts set acc. EG regulation No. 641/2009 for pumps and controller (till 31st June 2015) of KTS-ThermoBoxes B60(S)

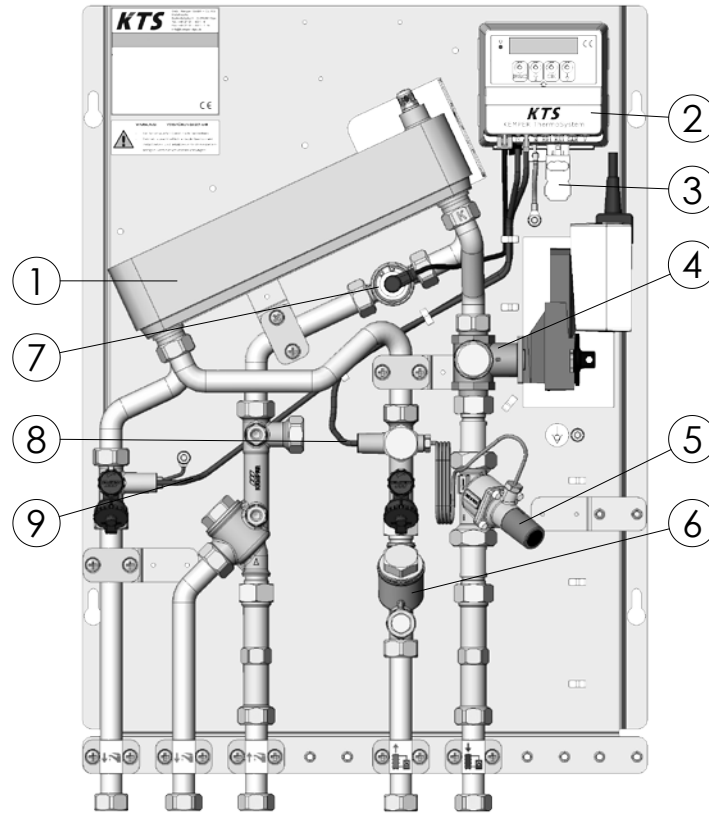
consisting of high-efficiency pump, complete insulation and controller

part no.	for KTS-Thermobox		
9100203200	B30 (S), B40 (S), B50 (S)		
9100203300	B60 (S)		



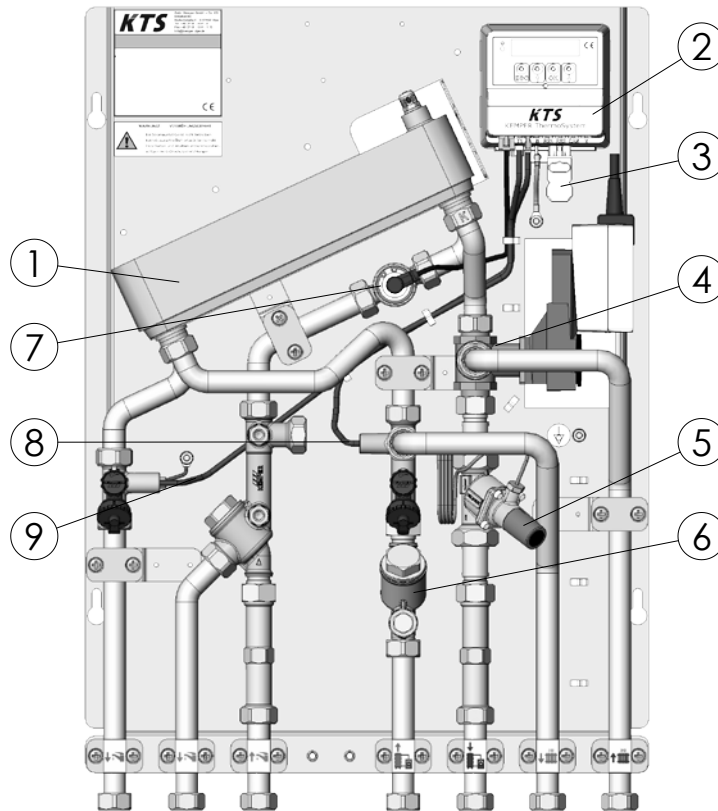
no.	drawing no.	description	part no.		
1	1	plate heat exchanger für ThermoBox B30 Cu-soldered	9109903000		
2		plate heat exchanger für ThermoBox B40 Cu-soldered	9109904000		
3		plate heat exchanger für ThermoBox B50 Cu-soldered	9109905000		
4		plate heat exchanger für ThermoBox B60 Cu-soldered	9109906000		
5		plate heat exchanger für ThermoBox B30 SST	9209903000		
6		plate heat exchanger für ThermoBox B40 SST	9209904000		
7		plate heat exchanger für ThermoBox B50 SST	9209905000		
8		plate heat exchanger für ThermoBox B60 SST	9209906000		
9	2	pump DHRS25 for ThermoBox B30 (S) / B40 (S) / B50 (S) (from 01.08.2015)	9100202000		
10		pump UPML for ThermoBox B60 (S) (from 01.08.2015)	9100202100		
11	3	temperature sensor Pt1000, G1/4	T510091002005KP		
12	4	KTS controller (until 31.07.2015)	9100202400		
13	5	KTS controller VC 211 (from 01.08.2015)	9100202500		
14	6	gravity break	9100202200		
15	7	sensor replacement set CONTROL PLUS	1384G12000		
16	8	inner top part for KHS quarter turn stop valves with actuator	E012068600020KP		
17	9	actuator 230V for KHS quarter turn stop valves	6860000500		
18	w/o illustr.	mounting plate for plate heat exchangers of KTS Thermo Boxes	E21209100300800		
19	w/o illustr.	temperature sensor Pt1000 (incl. 7m cable)	T510091002006KP		
20	w/o illustr.				

Spare parts drawing KTS ThermoStation without heating connection, fig. 930/940 T

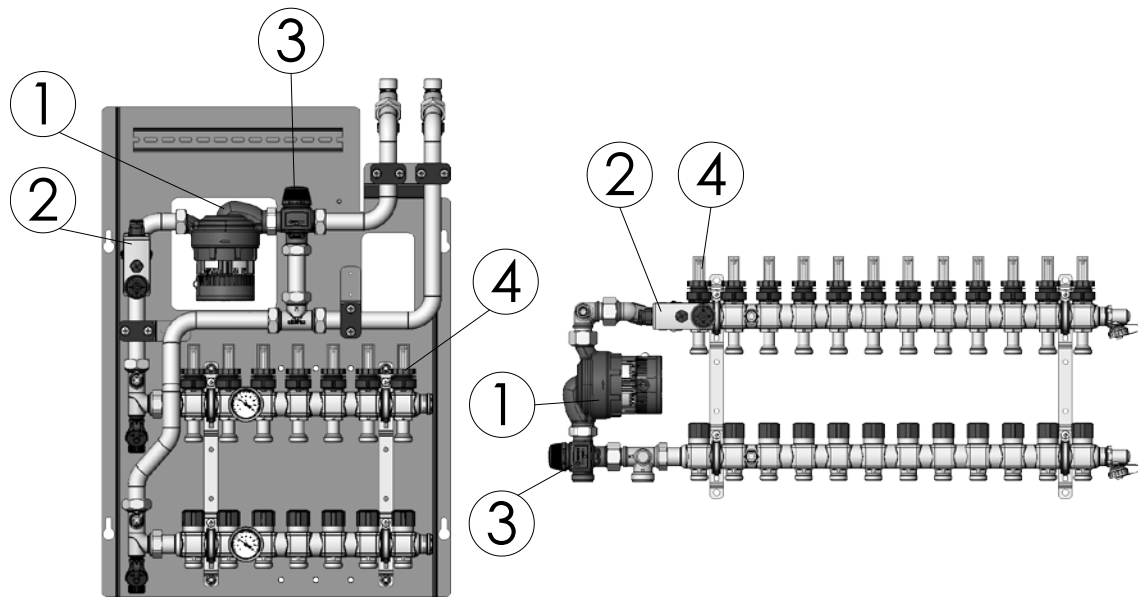


no.	drawing no.	description	part no.		
1	1	Cu-soldered plate heat exchanger for KTS ThermoStation 15 l/min	9309901500		
2		Cu-soldered plate heat exchanger for KTS ThermoStation 20 l/min	9309902000		
3		Cu-soldered plate heat exchanger for KTS ThermoStation 25 l/min	9309902500		
4		solid stainless steel plate heat exchanger for KTS ThermoStation 15 l/min	9409901500		
5		solid stainless steel plate heat exchanger for KTS ThermoStation 20 l/min	9409902000		
6		solid stainless steel plate heat exchanger for KTS ThermoStation 25 l/min	9409902500		
7	2	controller for KTS ThermoStation 15 l/min	9320101500		
8		controller for KTS ThermoStation 20 l/min	9320102000		
9		controller for KTS ThermoStation 25 l/min	9320102500		
10	3	plug for 230V connection of the KTS ThermoStation	9320100100		
11	4	KVS 4.0 control valve for KTS ThermoStation 15 l/min / 20 l/min	9320200100		
12		KVS 6.3 control valve for KTS ThermoStation 25 l/min	9320200200		
13	5	differential pressure controller for KTS ThermoStation	9320300100		
14	6	mesh for KTS ThermoStation dirt trap	9320500100		
15	7	sensor replacement set CONTROL PLUS	1384G11500		
16	8	heating inlet temperature sensor T2 (black) Pt1000 for KTS ThermoStation	T510093204001KP		
17	9	PWH temperature sensor T1 (red) Pt1000 for KTS ThermoStation	T510093204002KP		

Spare parts drawing KTS ThermoStation with heating connection, fig. 930/940 TH



no.	drawing no.	description	part no.		
1	1	Cu-soldered plate heat exchanger for KTS ThermoStation 15 l/min	9309901500		
2		Cu-soldered plate heat exchanger for KTS ThermoStation 20 l/min	9309902000		
3		Cu-soldered plate heat exchanger for KTS ThermoStation 25 l/min	9309902500		
4		solid stainless steel plate heat exchanger for KTS ThermoStation 15 l/min	9409901500		
5		solid stainless steel plate heat exchanger for KTS ThermoStation 20 l/min	9409902000		
6		solid stainless steel plate heat exchanger for KTS ThermoStation 25 l/min	9409902500		
7	2	controller for KTS ThermoStation 15 l/min	9320101500		
8		controller for KTS ThermoStation 20 l/min	9320102000		
9		controller for KTS ThermoStation 25 l/min	9320102500		
10	3	plug for 230V connection of the KTS ThermoStation	9320100100		
11	4	KVS 4.0 control valve for KTS ThermoStation 15 l/min / 20 l/min	9320200100		
12		KVS 6.3 control valve for KTS ThermoStation 25 l/min	9320200200		
13	5	differential pressure controller for KTS ThermoStation	9320300100		
14	6	mesh for KTS ThermoStation dirt trap	9320500100		
15	7	sensor replacement set CONTROL PLUS	1384G11500		
16	8	heating inlet temperature sensor T2 (black) Pt1000 for KTS ThermoStation	T510093204001KP		
17	9	PWH temperature sensor T1 (red) Pt1000 for KTS ThermoStation	T510093204002KP		



no.	drawing no.	description	part no.		
1	1	pump for KTS panel heating group / module	9820100100		
2	2	contact thermostat for panel heating module / panel heating group	9810700100		
3	3	mixer valve for panel heating module / panel heating group with fixed value control	9820200100		
4	4				



double screen insert for strainer 602

suitable for strainer figure 602 00, according to accepted materials list from German environmental agency, mesh width outer supporting sieve 0.6 mm, mesh width inner screen 0.3 mm

part no.	for DN		
E31206020001000	10		
E31206020001500	15		
E31206020002000	20		
E31206020002500	25		
E31206020003200	32		
E31206020004000	40		
E31206020005000	50		



double screen insert for strainer 605

suitable for strainer figure 605 00, according to accepted materials list from German environmental agency, mesh width outer supporting sieve 0.6 mm, mesh width inner screen 0.3 mm

part no.	for DN		
E31206050005000	50		
E31206050006500	65		
E31206050008000	80		
E31206050010000	100		



PTFE seat gasket

for stop valves made entirely of gunmetal according to figure 135, 173, 176 and 190 with top lip gasket manufactured to 05/2006 as well as combined stop and check valves with flow body made entirely of gunmetal according to figure 145 with top seal manufactured to 05/2006, colour: white, according to accepted materials list from German environmental agency

part no.	for DN	diameter (mm)		
B91001731401500	15	16.4		
B91001731402000	20	22		
B91001731402500	25	28		
B91001731403200	32	36		
B91001731404000	40	41.5		
B91001731405000	50	53		
B91001731406500	65	68		
B91001731408000	80	81		



EPDM seat gasket

for stop valves figures 135, 173, and 190 with lip gasket from 06/2006, combination stop- and check valve figure 145 from 06/2006, according to accepted materials list from German environmental agency

part no.	for DN	diameter (mm)		
B91001700701500	15	16.4		
B91001730802000	20	22		
B91001730802500	25	28		
B91001730803200	32	36		
B91001700704000	40	41.5		
B91001730805000	50	53		
B91001730806500	65	68		
B91001730808000	80	81		



spindle seal as self-lubricating EPDM lip gasket for valves

for stop valves according to figure 135, 173, 176 and 190, combined stop and check valves with flow body according to figure 145 and 146 as well as combined stop and check valves according to figure 160 and 193., according to accepted materials list from German environmental agency

for DN	up to 05/2006			from 06/2006		
	part no.			part no.		
15	C91001730301500			C91001730302000		
20	C91001730301500			C91001730302000		
25	C91001730302500			C91001730302500		
32	C91001730302500			C91001730302500		
40	C91001730304000			C91001730302500		
50	C91001730304000			C91001730304000		
65	C91001730306500			C91001730306500		
80	C91001730306500			C91001730306500		



EPDM seat gasket

suitable for angle seat bonnets, according to accepted materials list from German environmental agency

part no.	for DN	diameter (mm)		
C31001730701500	15	26.5		
C31001730702000	20	32.5		
C31001730702500	25	40		
C31001730703200	32	50		
C31001730704000	40	58		
C31001730705000	50	70		
C31001730706500	65	88		
C31001730708000	80	102		



EPDM gasket for union connections

suitable for FROSTI® frost-proof outdoor valve figure 574 00, 574 03 and 574 05, suitable for screw connections according to figure 476, according to accepted materials list from German environmental agency

part no.	for DN	diameter (mm)		
C31004760701500	15	24		
C31004760702000	20	30		
C31004760702500	25	39		
C31004760703200	32	44.5		
C31004760704000	40	50.5		
C31004760705000	50	66		
C31004760706500	65	84.7		
C31004760708000	80	97		



box with spare gaskets

with EPDM-gaskets figure C3100 476 07, for union connection figure 476, with 20 pcs. each of DN 15, DN 20, DN 25, DN 32 and 10 pcs. each of DN 40 and DN 50

part no.			
4769900100			



Installation sleeve for replacement of spindle seal

for replacement of spindle seal on stop valves

part no.	for DN		
M91001730001500	15-20		
M91001730002500	25-40		
M91001730005000	50		
M91001730006500	65		



handwheel

color: red, suitable for WESER stop valves and stop valves with flange connection figure 135 01/02

part no.	for DN		
G01000600612000	15-20		
G01000600712000	15-20		
G01000700813200	25-40		
G01000900915000	50		
G01001201218000	65-80		



handwheel set

suitable for free-flow stop valve and free-flow combined stop and antipollution check valve, incl. silver and brown colour plates

part no.	for DN	for series		
9990000600	15-20	stainless steel		
9990000700	15-20	gunmetal		
9990000800	25-40	gunmetal and stainless steel		
9990000900	50	gunmetal and stainless steel		
9990001200	65-100	gunmetal		

