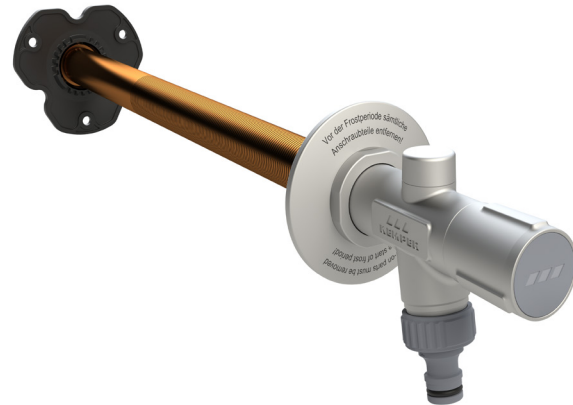


EN Installation and Operating Instructions

Final assembly FROSTI® | Fig. 578 11



Installation and operation

Read the manual and follow the instructions before installation. Installation and maintenance must be carried out by qualified plumbers.

Keep the manual for future reference!
Hand over the installation instructions to the client.

The place of installation may not be at risk of flooding.

Do not combine components of Figure 578 with parts from earlier versions.

Perform a leak test after installation and before commissioning!

Priority must be given to the national standards and provisions on sanitary installations and accident prevention.

All dimension specifications are given in mm.

Warranty

Warranty or liability are voided through:

- Disregard of installation instructions.
- Damage due to faulty installation.
- Unauthorised product modifications.
- Other incorrect operation.

Use

The KEMPER FROSTI® is used as a frost-proof outdoor tap.
Do not use the product for other purposes than described above.
Any other uses constitute misuse.

Warnings

Be sure to read and follow the warnings in the manual. Failing to do so can lead to personal injury or material damage!

Important warnings:



Warning! Highlights risks that may result in injury, material damage or contamination of drinking water.



Note! Highlights risks that may result in damage to the plant or dysfunction.



YouTube



Important advice to the operator

Medium: water
maximum operating temperature 65 °C,
pressure rating PN 16

1. The tap should only be used
 - in good order and condition
 - as intended
2. **The tap seat must be located in the frost free area.**

Maintenance

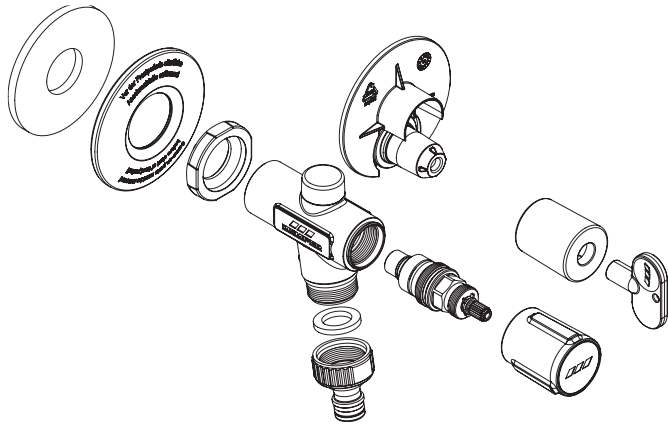
In accordance with DIN EN 806-5, maintenance is to be carried out on the tap annually.

Be sure to comply with the local regulations on waste recycling and disposal.





Fig. 578 11

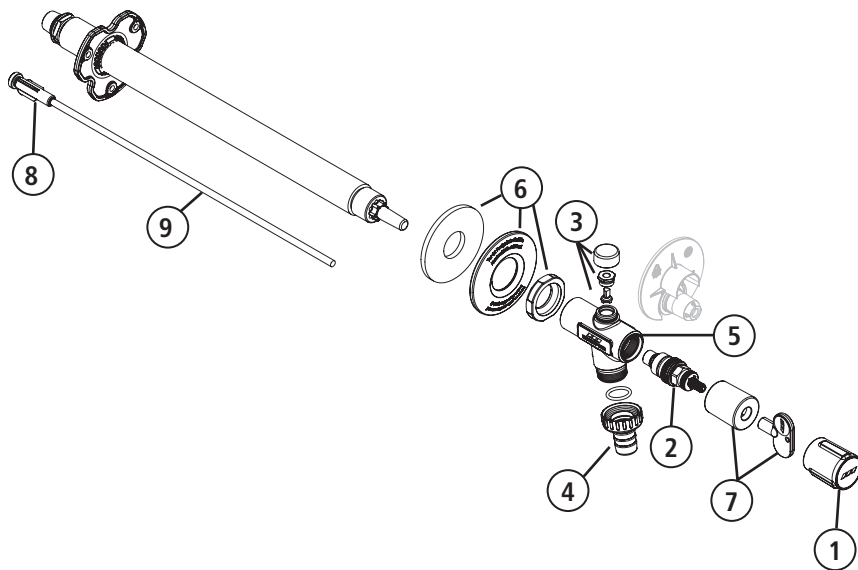


DIN EN 1717
DIN EN 806
DIN 1988

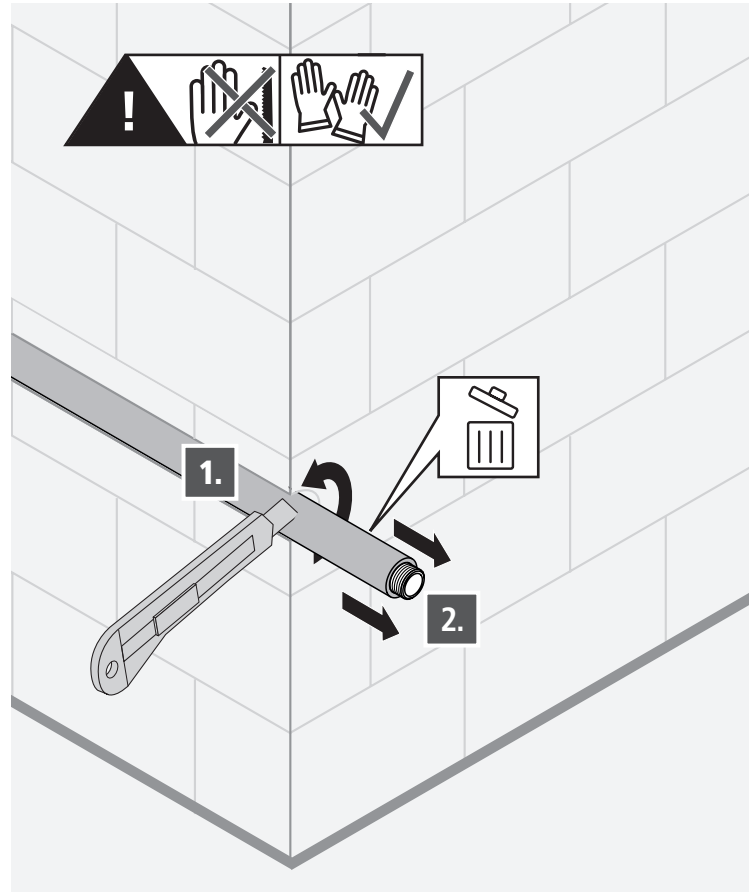
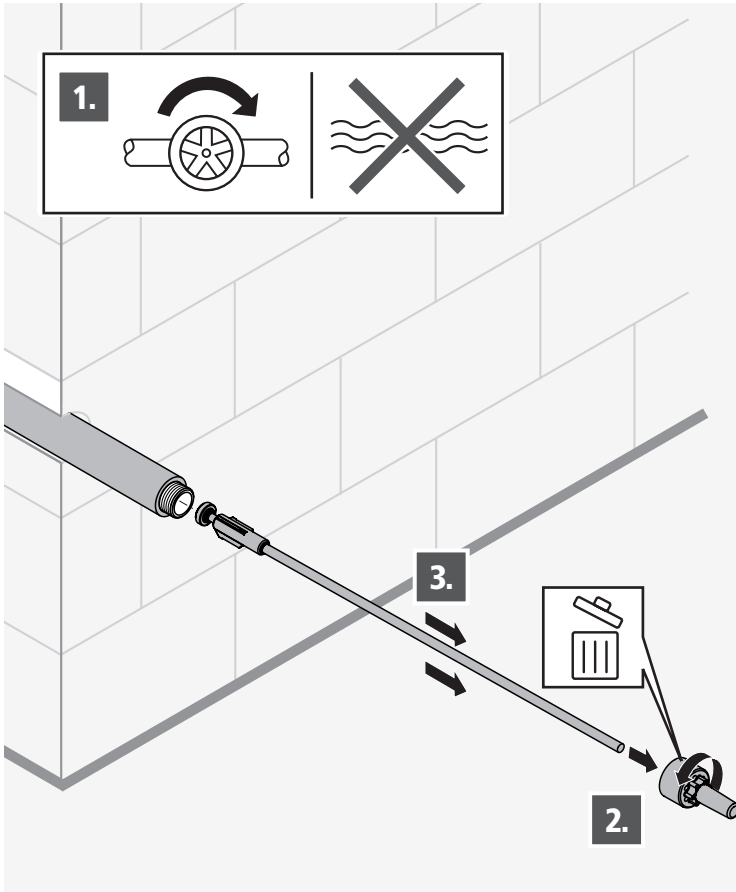
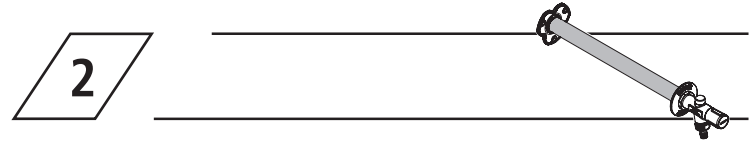
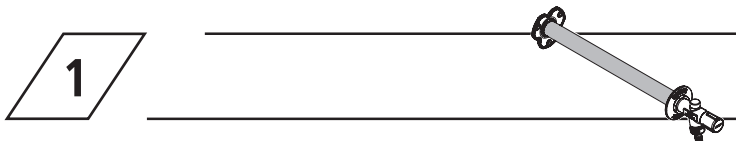


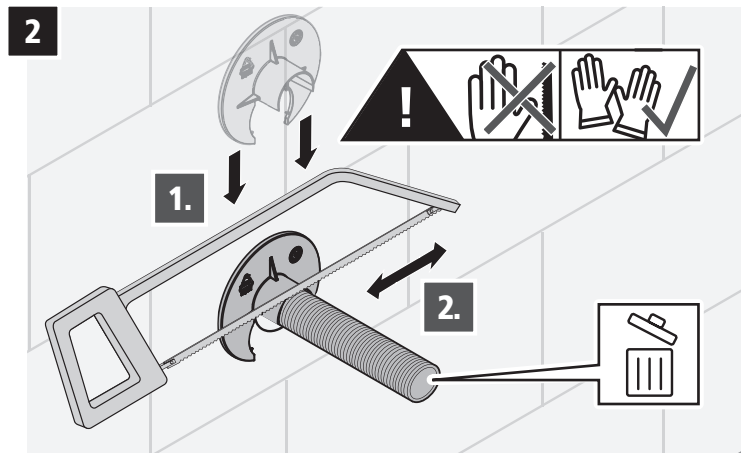
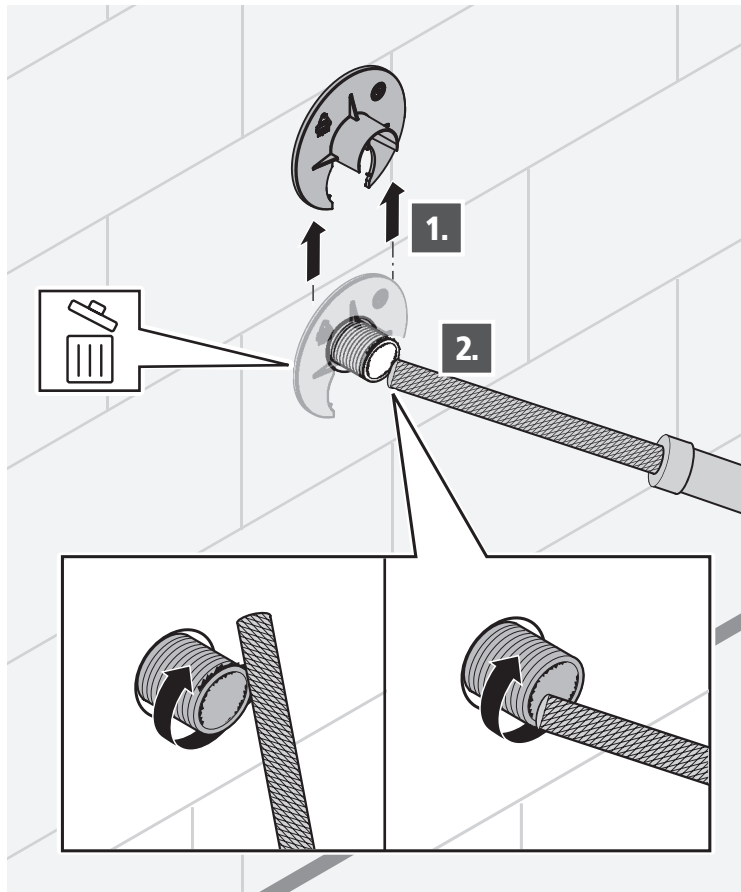
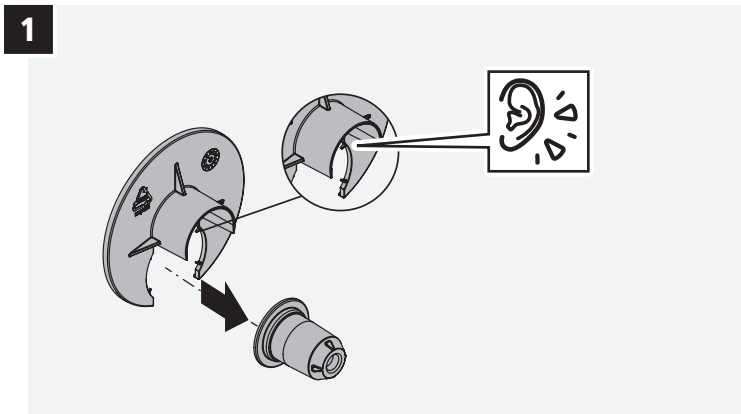
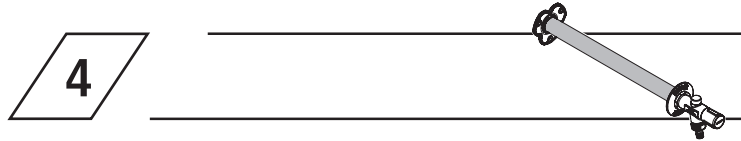
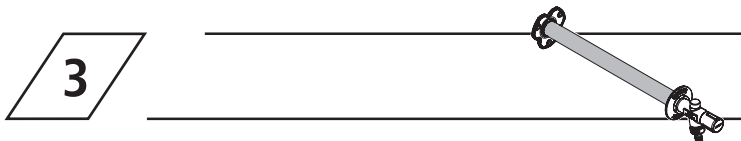
18 mm



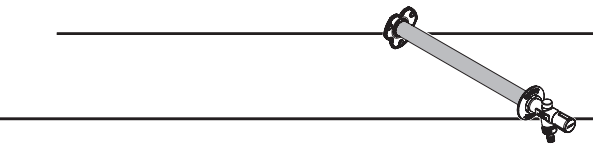


Pos.	Art.-No. DN 15
1-7	Z21005781101500
1	5780100100
2	5783500100
3	5782300100
4	5782501500
5	5780301500
6	5782800100
7	5780000100
8 - 9	5783400100
9	5783200100

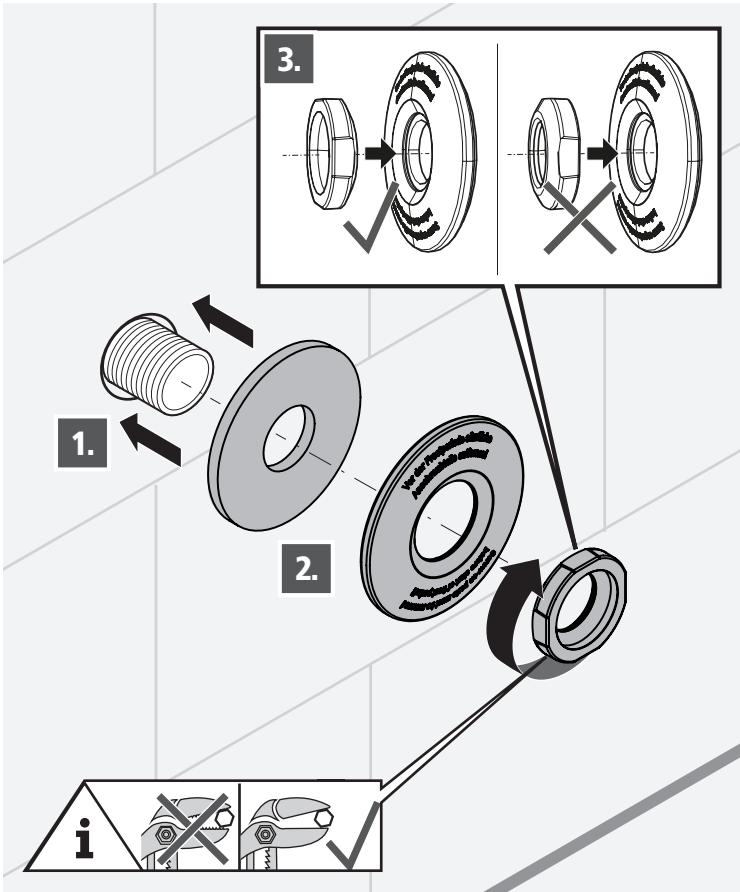
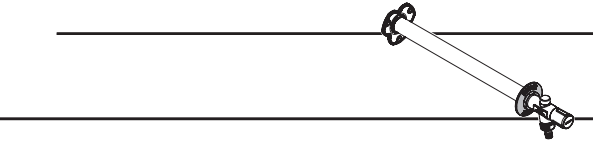


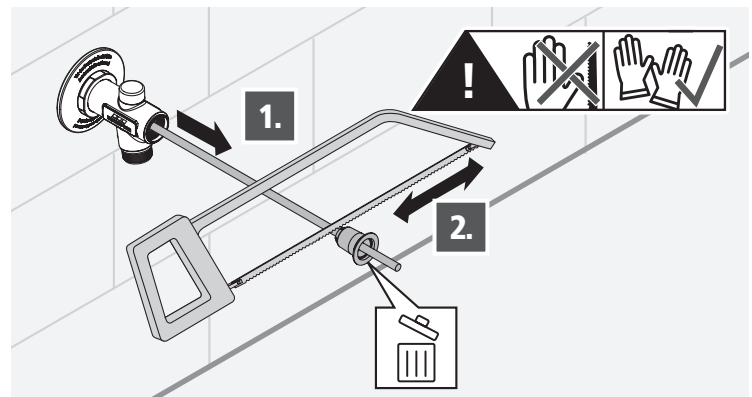
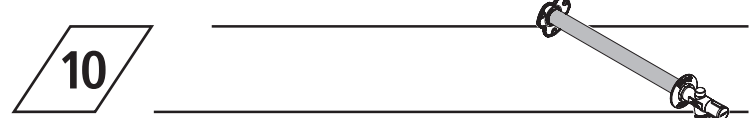
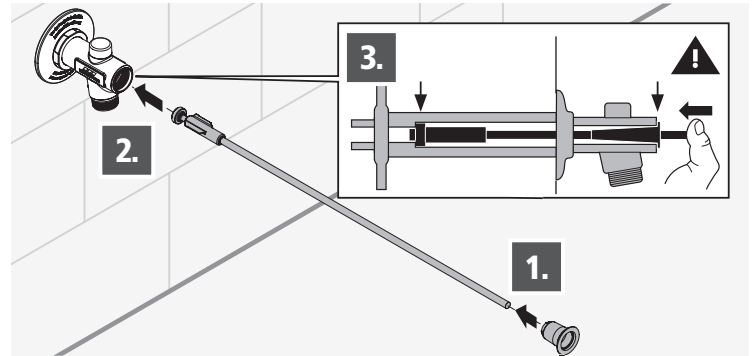
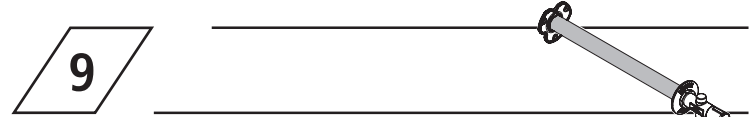
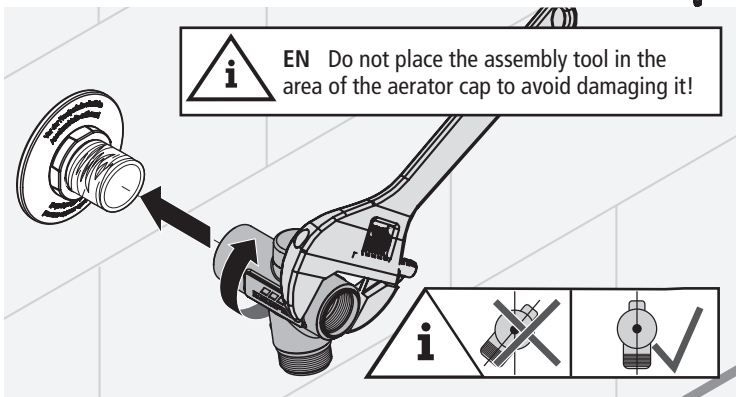
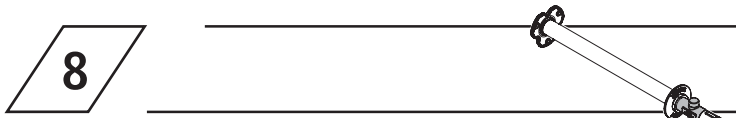
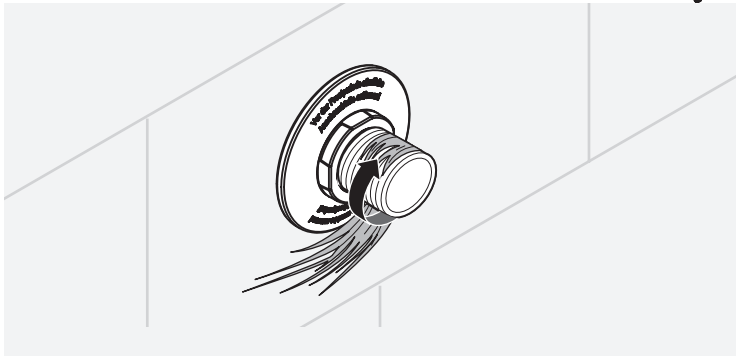
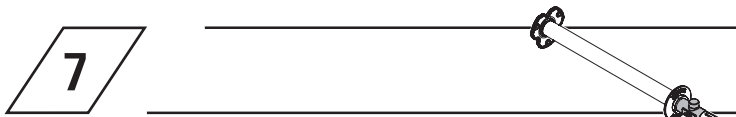


5

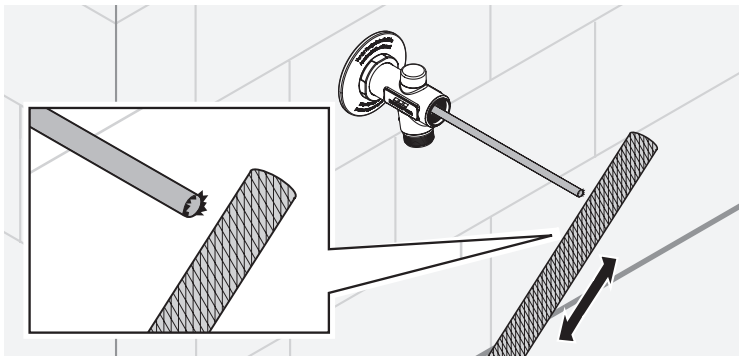


6

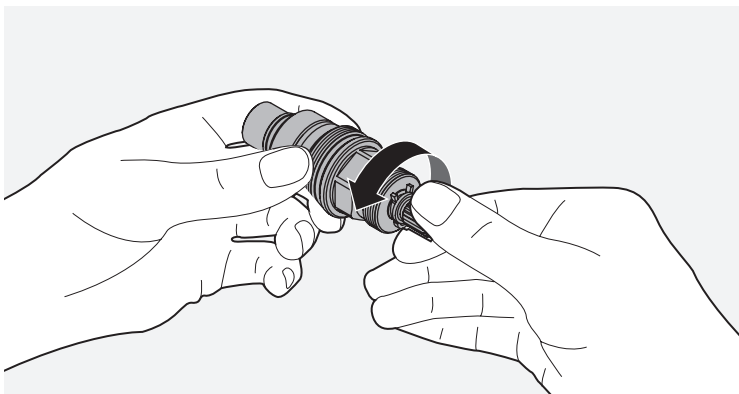




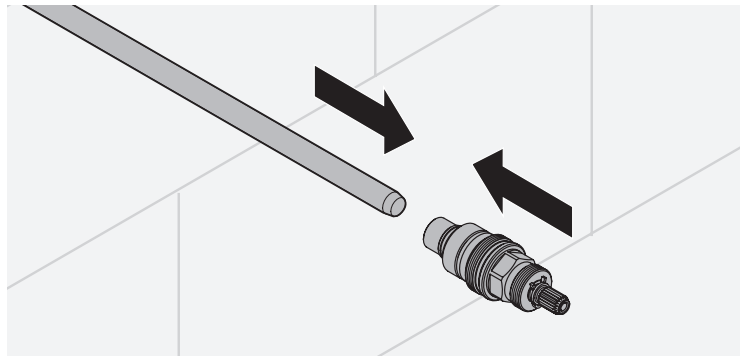
11



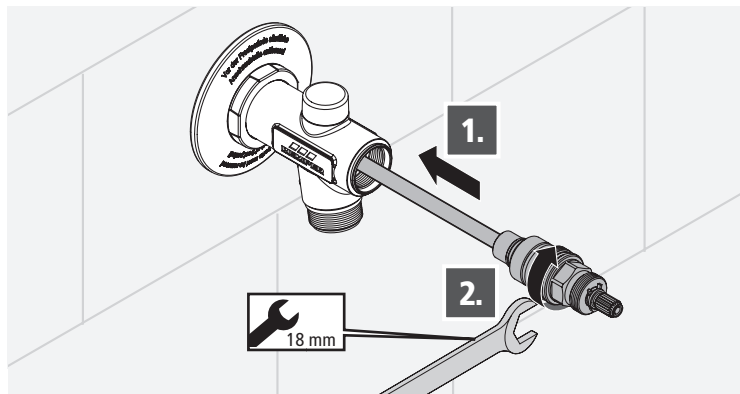
12

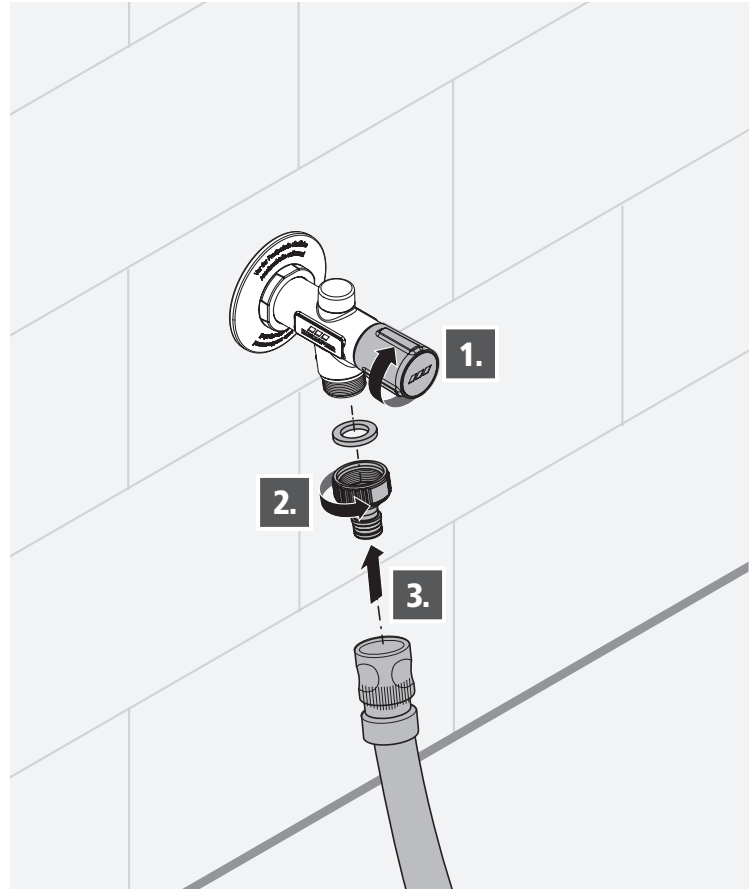
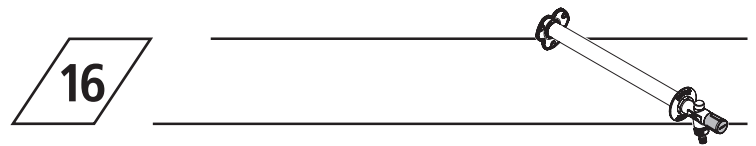
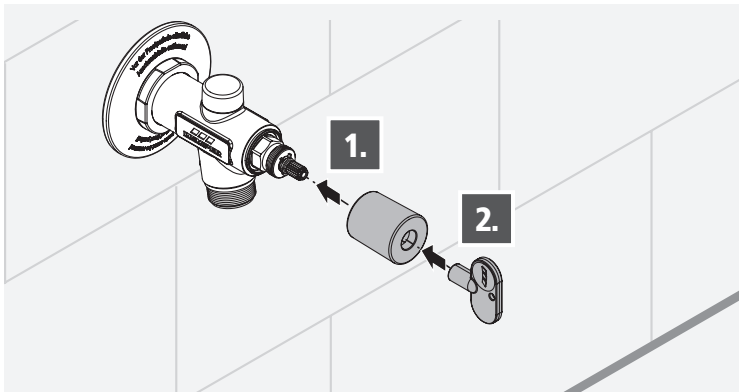
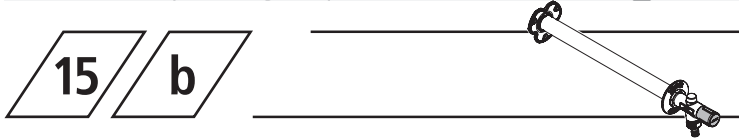
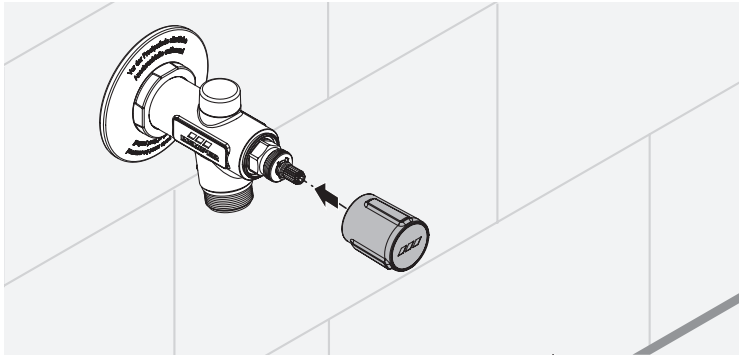
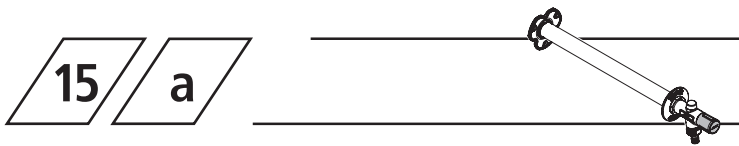


13

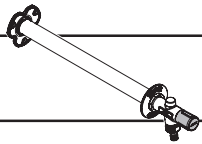


14

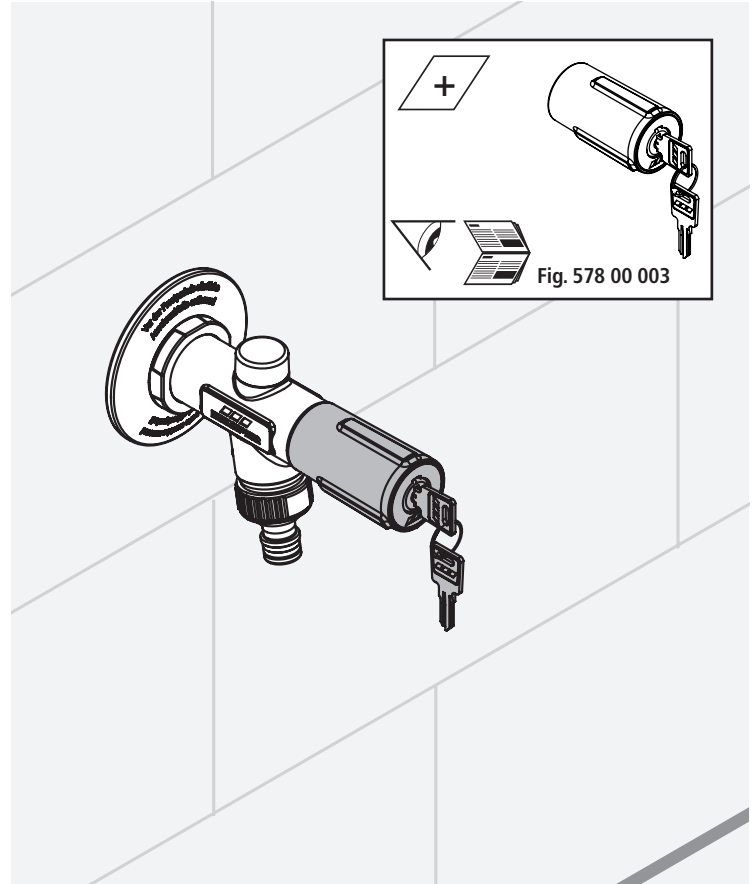
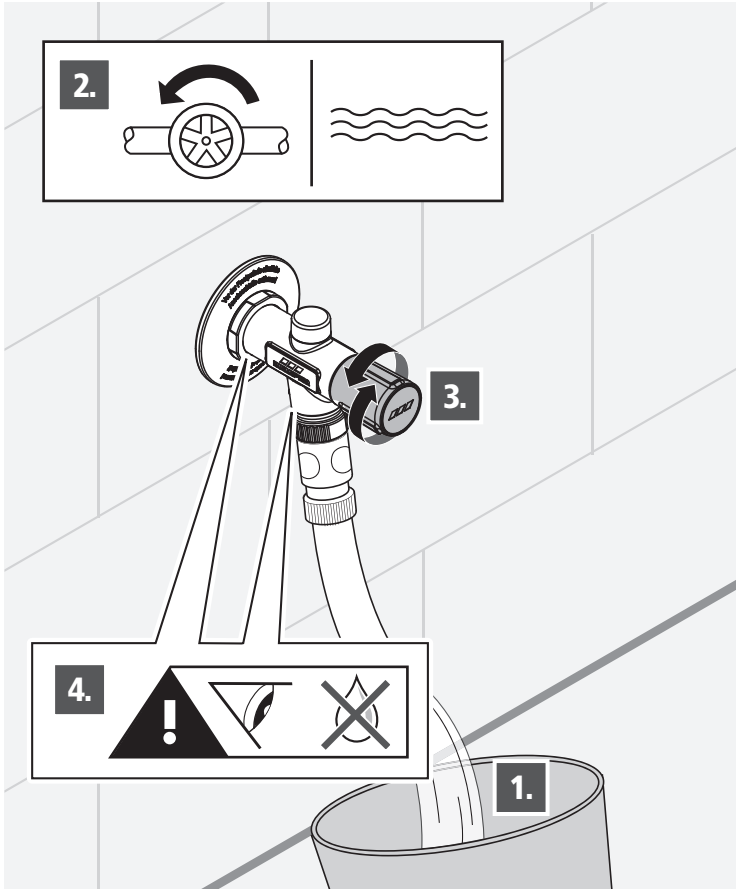




17



+





Kemper UK & Ireland Ltd.
2 Ripple Court Brockeridge Business Park
Twynning / Tewkesbury
Gloucestershire GL20 6FG
Great Britain



Phone +44 16 84 - 85 49 30
Fax +44 16 84 - 85 49 31
www.kemper-uk.com
info@kemper-uk.com